

Comfortable Life
YUANFANG

赛特勒控制器（宁波）有限公司
ZETTLER CONTROLS (NINGBO) CO.,LTD

ZETTLER

ABOUT US 公司简介

赛特勒控制器（宁波）有限公司是一家中外合资公司，赛特勒（ZETTLER）是国际知名品牌，具有100多年的历史。公司总部位于美国加利福尼亚州，客户分布世界各地，包括众多著名跨国企业，产品类型包括各种继电器、温控器等。

赛特勒控制器（宁波）有限公司建有独立的研发实验室，并引进了奥地利、日本等国先进的温控器技术和自动化生产设备，年产量达8000万件以上。

赛特勒温控器包括突跳式温控器、除霜温控器、大功率温控器、温度延时继电器、过载保护器、除霜定时器等产品。公司产品符合欧盟ROHS/REACH法规及相关行业标准，已通过UL、VDE、CQC、TUV、CUL、CE认证，使用寿命达10万次以上，主要应用于小家电、白色家电、工业/家用/汽车空调、电子行业温度控制、汽车发动机保护、办公、厨卫、暖通等行业。

赛特勒控制器专家可以根据您的需要选择或设计适宜的产品，并提供专业的咨询服务。

ZETTLER CONTROLS develops products and solutions with experienced competence in the field of thermal control technology for Household appliances,HVAC applications and Automotive.

We focus on innovative technology,simplicity and modularity in product design,practical solutions development and automated manufacturing. Our components features stringent process controls and quality testing, along with all major certifications and environmental safety compliances.

Zettler Controls (Ningbo) Co.,Ltd. is a joint venture company created by ZETTLER CONTROLS and Ningbo Yuanfang Thermostats Co.,Ltd in 2015. Ningbo Yuanfang has been an outstanding manufacturer in the thermostat industry for more than 10 years. We are committed to business continuity and partnership. Customer-oriented thinking and customer value creation are always the basis of our actions. In this regard we will continuously provide advice and assistance to you worldwide- from idea,to concept,to series production.





日本全自动组装线
JAPAN AUTOMATIC ASSEMBLING EQUIPMENT



高速精密冲床
AUTOMATIC ASSEMBLING PRODUCTION LINE



温度测试机
TEMPERATURE TESTING EQUIPMENT



全自动电流和电压筛选机
AUTOMATIC CONTACT RESISTANCE AND HI-POT SORTING EQUIPMENT



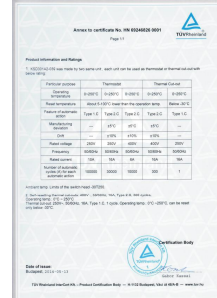
双金属片温度成型机
BIMETAL DISC FORMING & TESTING EQUIPMENT



双金属片温度测试机
TEMPERATURE TESTING EQUIPMENT

公司荣誉

Company Honors
科技创新 引领潮流



CONTENTS 目录

1/2" 突跳式温控器系列【KSD301A】 1/2" Snap-action Thermostat【KSD301A】	01
断电自动复位温控器 Power-off Reset Thermostat	08
突跳式温控器系列【KSD301A2】 Snap-action Thermostat【KSD301A2】	09
除霜温控器系列【KSD301B】 Defrost Thermostat Series【KSD301B】	12
大电流除霜温控器 High Current Defrost Thermostat	14
塑封除霜温控器系列【KSD301B2】 Defrost Thermostat with Sealed PVC【KSD301B2】	16
3/4" 大电流突跳式温控器系列【KSD301C】 3/4" High Current Snap Action Thermostat Series【KSD301C】	23
3/4" 方形温控器系列【KSD301C】 3/4" High Current Snap Action Thermostat Series【KSD301C】	29
热水器温控器系列【KSD301C】 Water Heater Thermostat Series【KSD301C】	30
延时器系列 Time Delay Relay And Sequencer	34
定时器系列【DS】 Timer	36

1/2" 突跳式温控器系列【KSD301A】

1/2" Snap-action thermostat【KSD301A】

KSD301A 系列 是1/2" 双金属突跳式温控器，体积小，快跳式动作安全可靠，产品使用寿命长（100000次），有多种安装支架和接线端子。

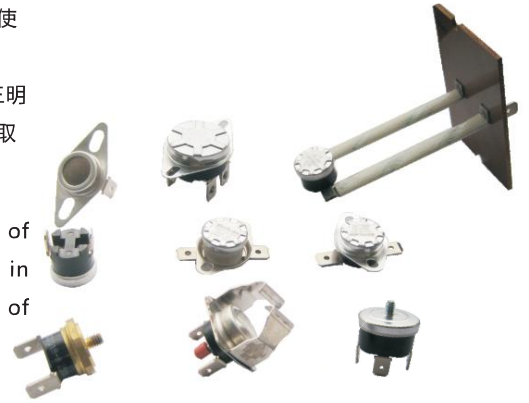
产品已通过UL CUL TUV VDE CE CQC ETL CB等认证，广泛应用于：热水壶、三明治机、干燥器、烤箱、饮水机、真空吸尘器、电炉、热风器、洗碗机、电/煤气取暖炉

KSD301A SERIES is ½" bimetal temperature controls. The snap action of the bimetal disc provides high-speed contact separation resulting in excellent life cycle characteristics at 100000 cycles. A wide variety of terminal and mounting configurations are available for design flexibility.

Switch Actions: Automatic reset; and Manual reset, One shot.

Approval: UL CUL TUV VDE CE CQC ETL CB

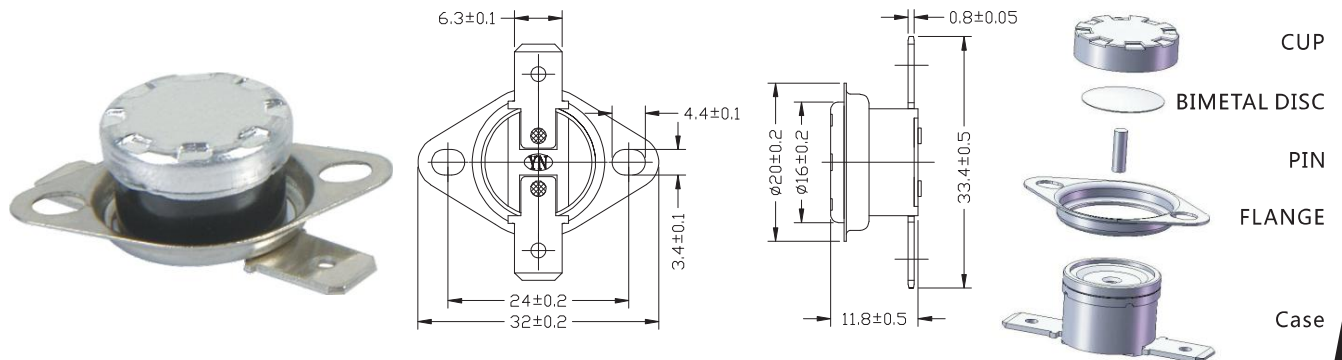
Applications: Boiler, Vacuum cleaners, Sandwichmakers, Dryers, Oven, Electric stove, Gas/electric furnaces, Fan heaters, Dish washer, water dispenser



技术参数(Technical Specification)

额定电压 Rated voltage	额定电流 Rated current	温度范围 Temperature Range		精度 Tolerance	
		陶瓷壳体 Ceramic housing	胶木壳体 Bakelite housing	最小 Min	标准 Standard
AC 110V/125V AC 240V/277V	MAX16A	-30°C- 250°C (-22F-482F)	-30°C- 150°C (-22F-287F)	± 2°C	±5°C

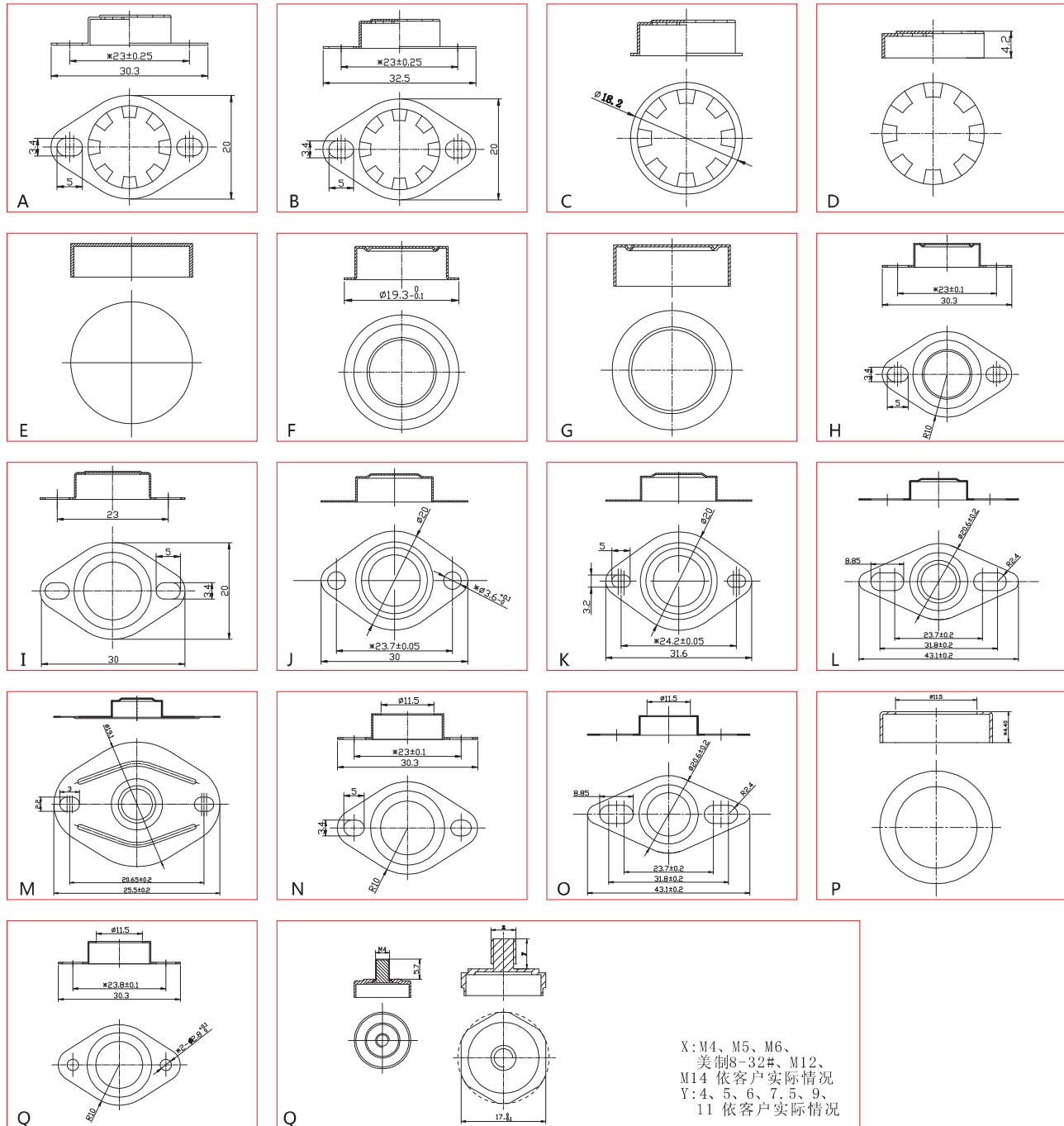
标准产品外观/Physical Construction



为了满足您不同的安装要求，我们提供以下不同类型和尺寸的安装端盖、支架、壳体 and 端子，请从下面挑选。

In order to fulfill your installation design, we offer the various types and size of the cup, flange, housing and terminal, please choose from below.

Cup Option/端盖

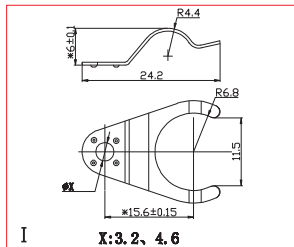
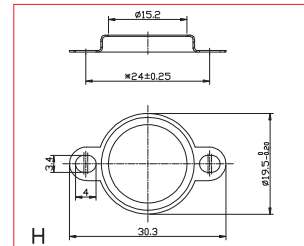
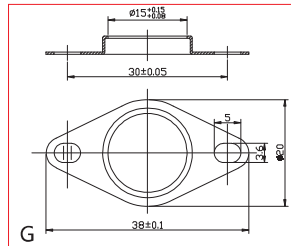
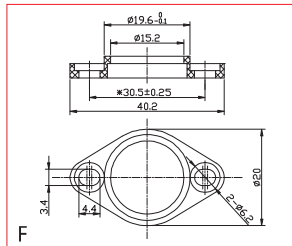
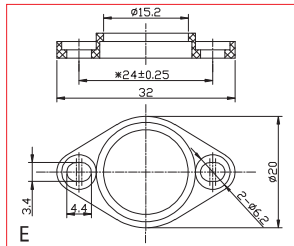
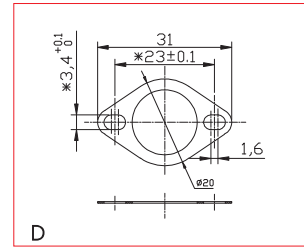
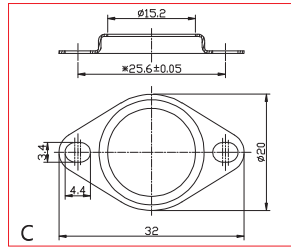
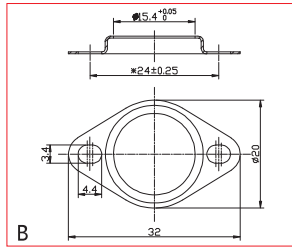
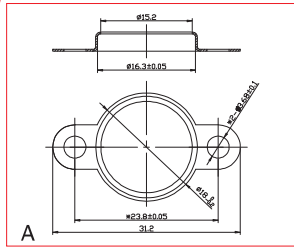


X: M4、M5、M6、
美制8-32#、M12、
M14 依客户实际情况
Y: 4、5、6、7、5、9、
11 依客户实际情况

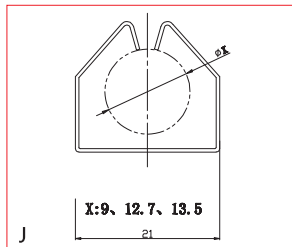
1/2" 突跳式温控器系列【KSD301A】

1/2" Snap-action thermostat【KSD301A】

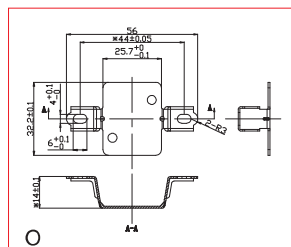
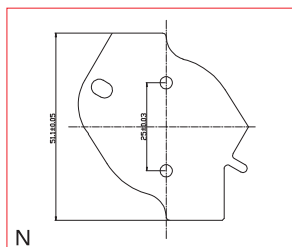
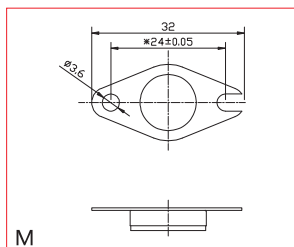
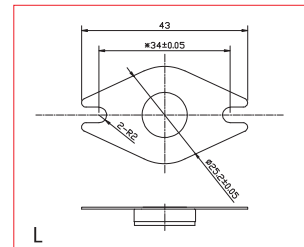
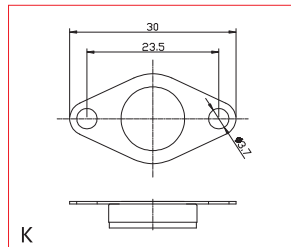
Flanges Option/支架



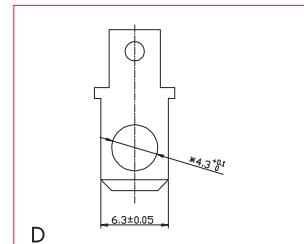
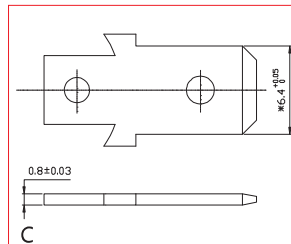
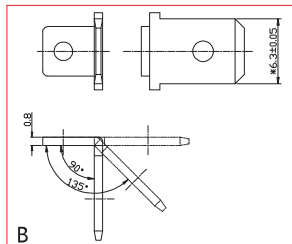
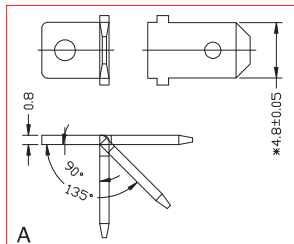
X: 3, 2, 4, 6

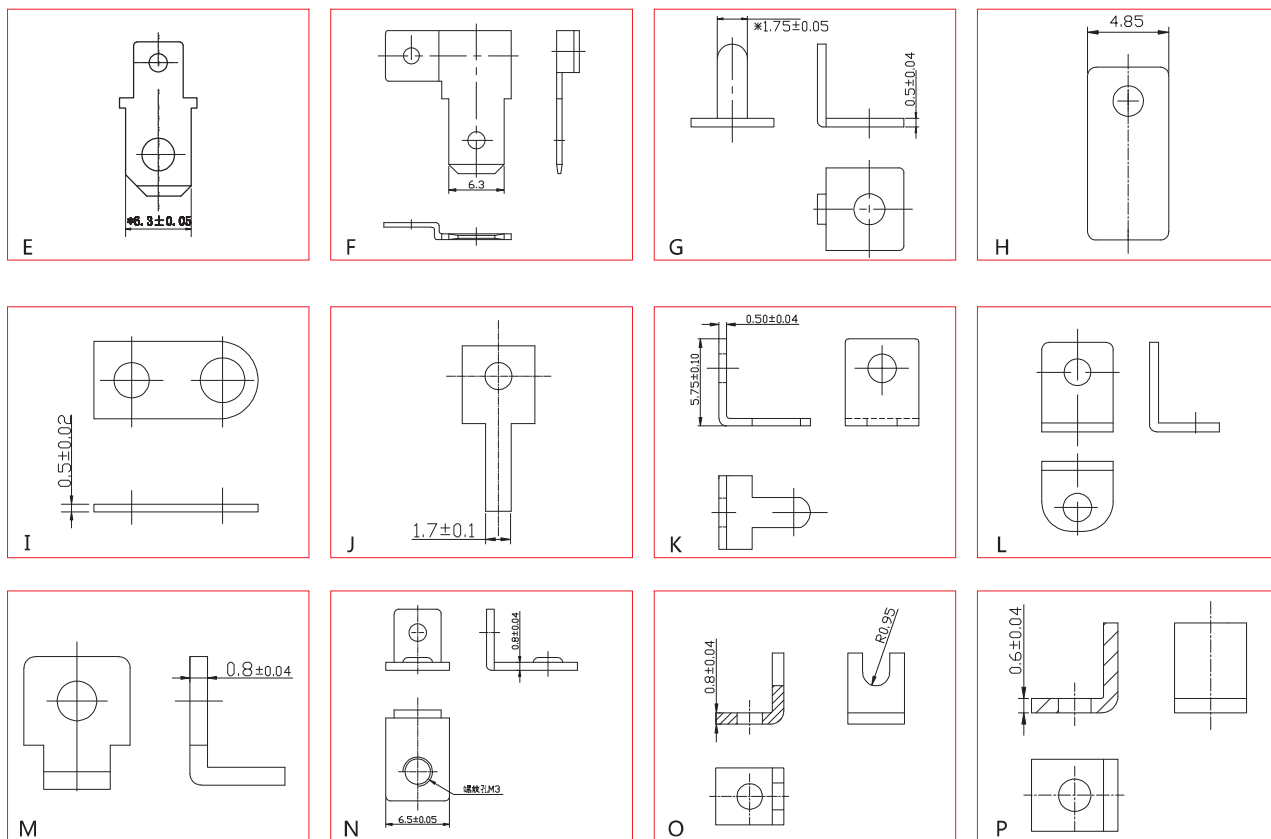


X: 9, 12, 7, 13, 5

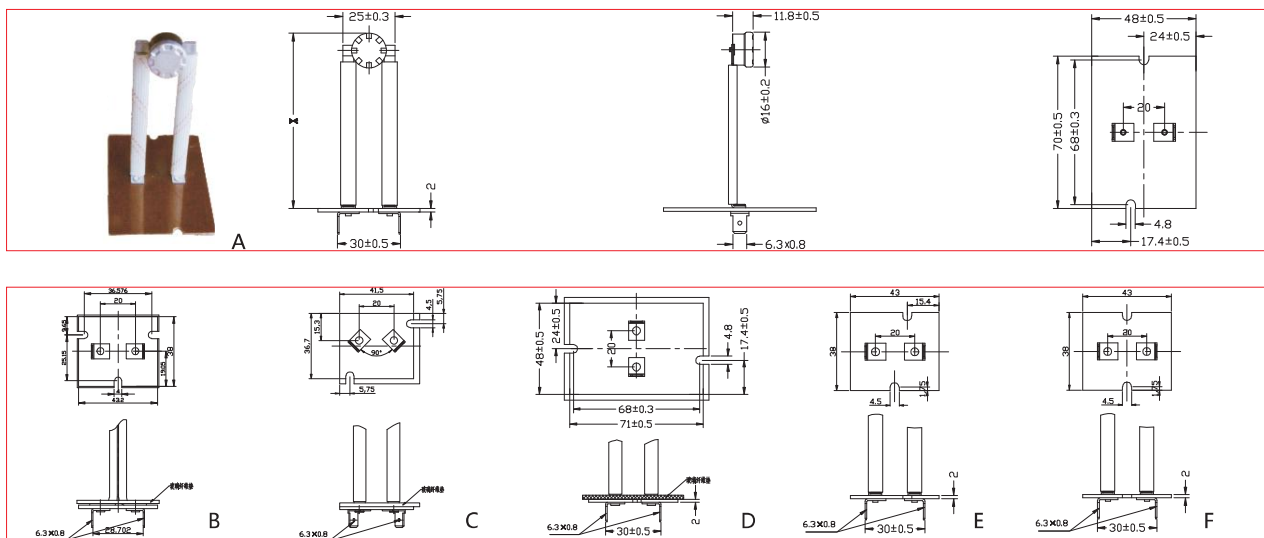


Terminal Option/端子



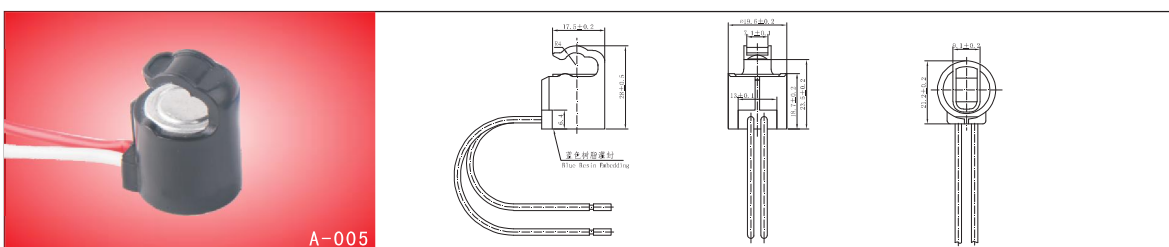
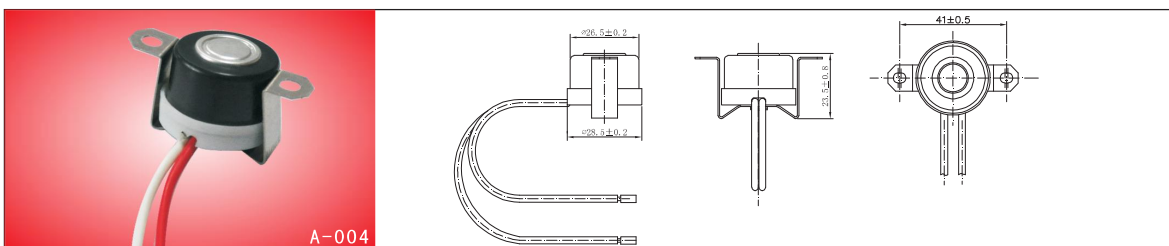
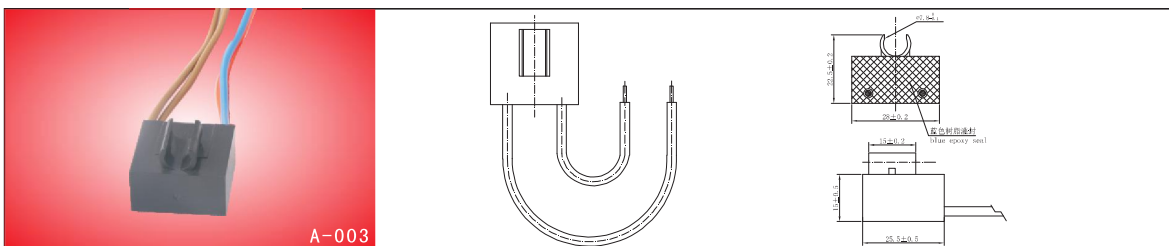
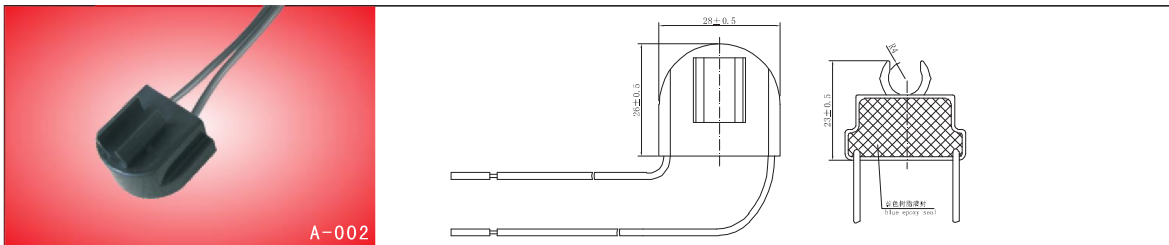
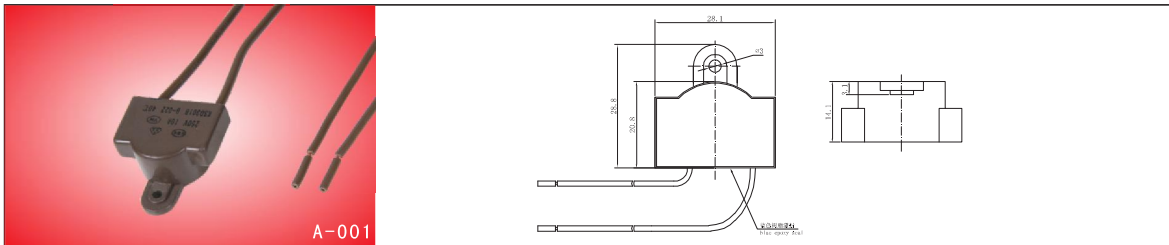


Extended Airstream Mount/ 底板安装型



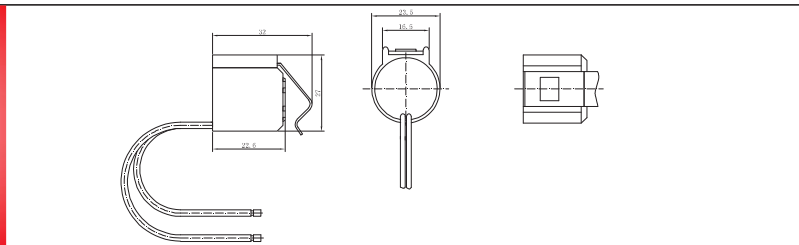
1/2" 突跳式温控器系列【KSD301A】
1/2" Snap-action thermostat【KSD301A】

防潮防尘温控型 Anti-moisture and Dust Type

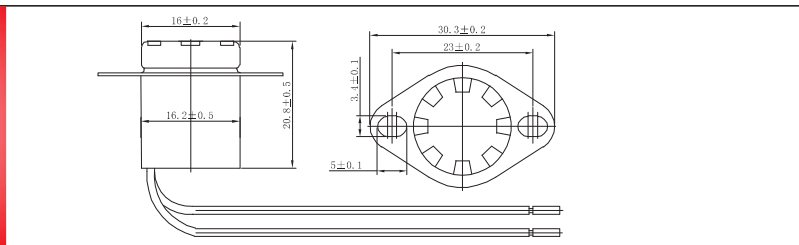




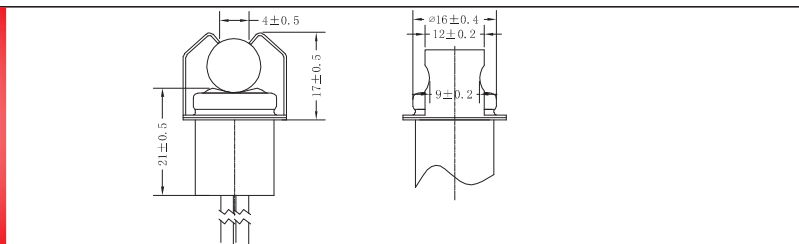
A-006



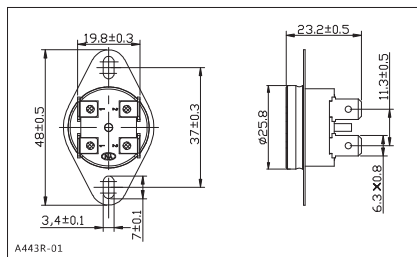
A-007



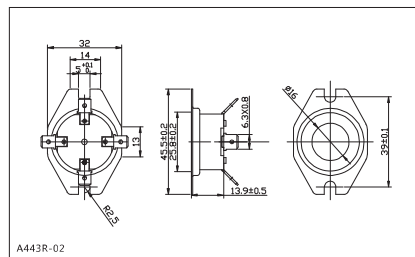
A-008



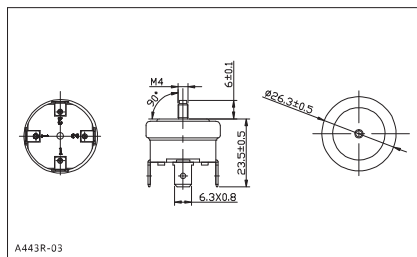
DPST Type/双刀单掷型



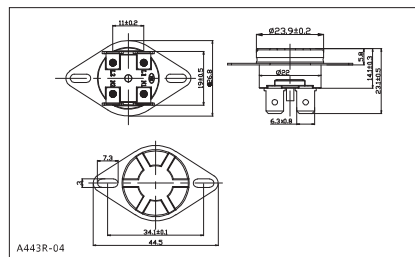
A443R-01



A443R-02



A443R-03



A443R-04

1/2" 突跳式温控器系列【KSD301A】

1/2" Snap-action thermostat【KSD301A】

请填写以下的选型表,我们将提供最合适您要求的产品

The following information will help us determine the correct thermostat design for your application.you may refer to the charts from page 2 to page 6 for assistance

KSD301A SERIES Selection Table **KSD301A 系列选型表**

Thermostat Operation/开关类型

SPST/单刀单掷 DPST/双刀单掷

Thermostat Operation/温控器动作类型

Automatic Reset/自动复位 Manual Reset/ 手动复位 One Shot/ 一次性

Technical Specification/技术参数

Voltage/电压 _____ V AC/DC Current/电流 _____ A Load Type/负载类型 _____

Open Temperature/断开温度 _____ °C/F Closed Temperature/接通温度 _____ °C/F

Open Temp. Tolerance/断开温度精度± _____ °C/F Closed Temp. Tolerance/接通温度精度± _____ °C/F

Appearance/外观要求

Cup code/ 端盖代号 _____ Cup Angle/封盖角度 _____ Flange code/ 支架代号 _____

Terminal code/端子代号 _____ Terminal Angle 端子角度 _____

Extended Airstream Mount/ 底板安装型

Board Code/底板代码 _____ Length of "leg"/支撑杆长度 _____

Anti-Moisture And Dust Type/ 防水防潮型

Code/代码 _____ Wire Colour/电线颜色 _____ Wire Length/电线长度 _____

Connection/插件要求 _____

DPST/ 双刀单掷型

Code/代码 _____

Agency Approvals / 认证要求

UL VDE TUV CQC CE CUL ETC CB

Specific requirements/特殊要求

断电自动复位温控器

结构特点：

- 1.对温度的变化能作出快速的反应。
- 2.双金片无电流通过，避免了自热效应的影响，因此温度变化小，寿命长。
- 3.用环保大功率触头，符合安规要求。
- 4.可带安装支架，便于直接安装。

适用范围：

- 1.本产品适用于电暖炉、暖风机、除湿机、饮水机吸尘器、搅拌机、粉碎机、割草机洗衣机等各种电热电器的热辐射控制。
- 2.热保护器在安装和使用过程中，绝不允许触碰弹片及感温部分，否则将会导致保护器温度失准，接触不良而不能工作。

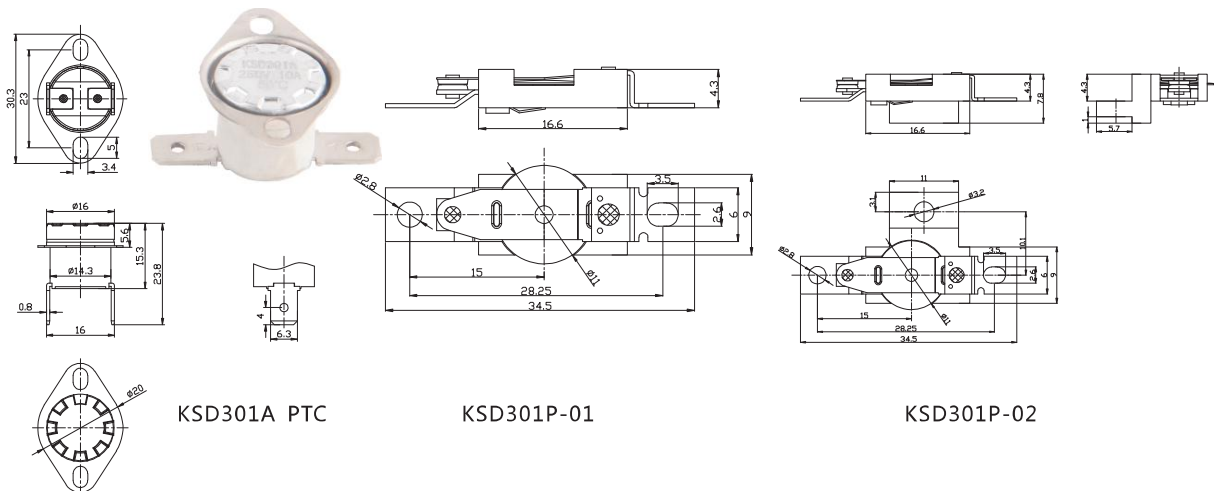
工作原理：

带PTC元件同接触点电路形成一个并联电路，当温度升高后，触点电路断开，电流通过PTC元件形成回路，PTC迅速升温，高于额定的复位温度，使电路一直保持断开状态。当关闭总电源，温度下降到双金片的复位温度时，双金片迅速恢复，触点闭合，使保护的电路更安全，更可靠。

User has to unplug the unit to cut off power supply so as to make the thermostat reset.
Has been widely applied in fan heater and heater.

• SPECIFICATION

Rating	125VAC / 250VAC 16A (Resistive loading)
Maximum rated temperature	130°C 150°C
Tolerance	±5°C or ±7°
Endurance	100,000 cycles



突跳式温控器系列【KSD301A2】 Snap-action thermostat【KSD301A2】

KSD301A2 系列 是1/2" 双金属突跳式温控器。

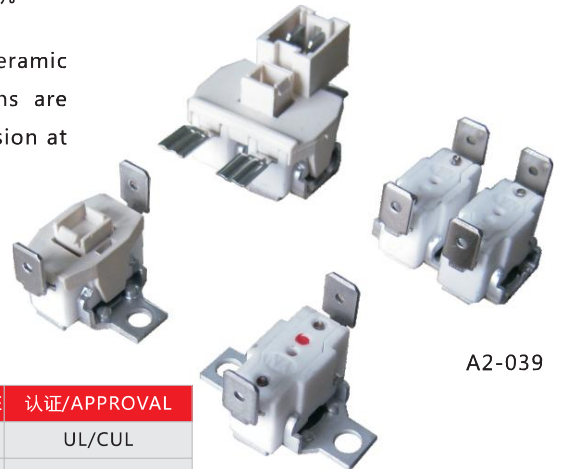
产品已通过了UL CUL TUV CE ENEC认证，主要应用于油炸锅、烤箱、洗碗机

KSD301A2 SERIES is 1/2" bimetal temperature controls with ceramic housing. A wide variety of terminal and mounting configurations are available for design flexibility. Easy mounting, equal heat transmission at both control.

Switch actions: Automatic reset; Manual reset; One shot.

Approval: UL CUL TUV CE ENEC

Applications : Fryer, Oven, Dish washer



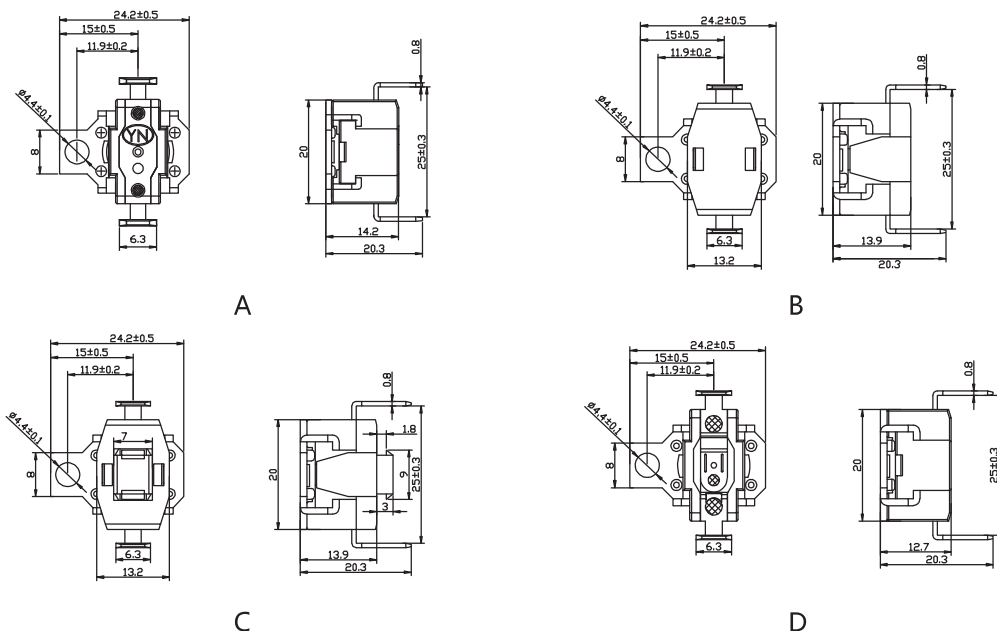
A2-039

A2-038

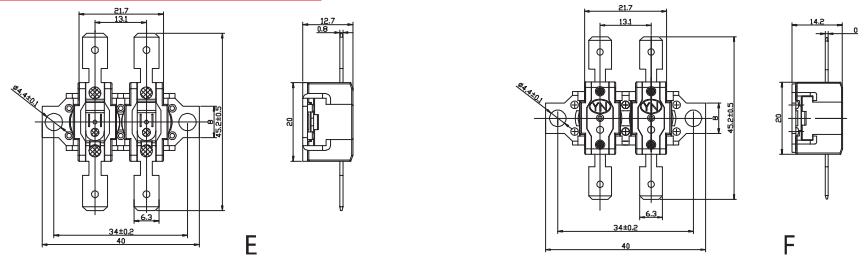
技术参数(Technical Specification)

型号/MODEL	电压/VOLTAGE	电流/CURRENT	温度/TEMPERATURE	认证/APPROVAL
KSD301A2-038	120/240/277VAC	16A	MAX180°C/356°F	UL/CUL
KSD301A2-038	250VAC	10/16A	MAX250°C/482°F	TUV
	400VAC	6A	MAX250°C/482°F	TUV
KSD301A2-039	120/240/277VAC	16A	MAX180°C/356°F	UL/CUL
KSD301A2-039	250VAC	10/16A	MAX250°C/482°F	TUV/ENEC
	400VAC	6A/16A	MAX250°C/482°F	TUV/ENEC

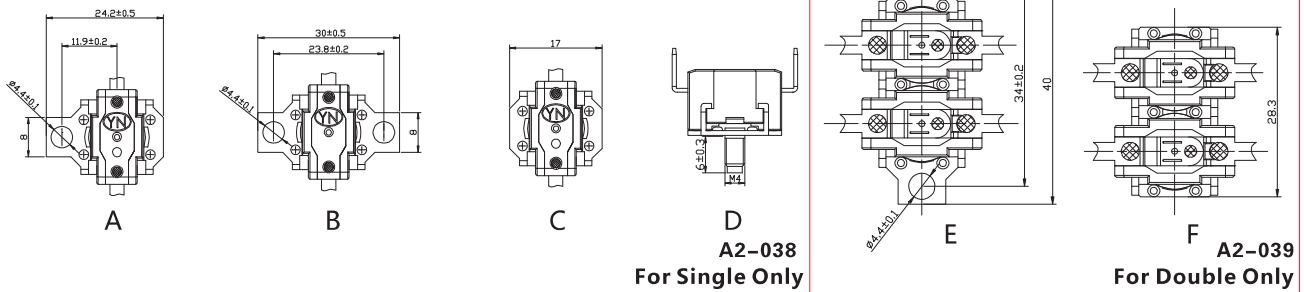
Single Standard Constructions/单体标准尺寸图



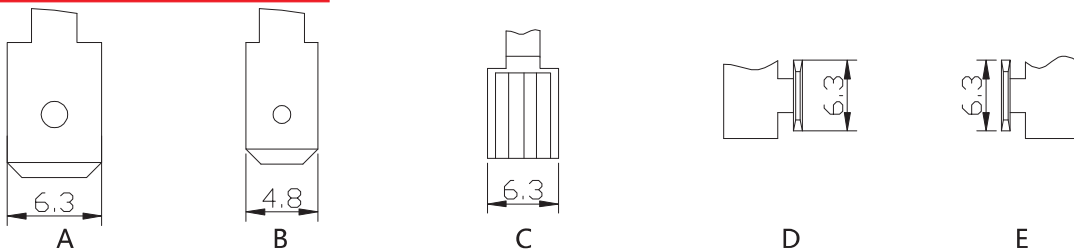
Double Standard Constructions/双体标准尺寸图



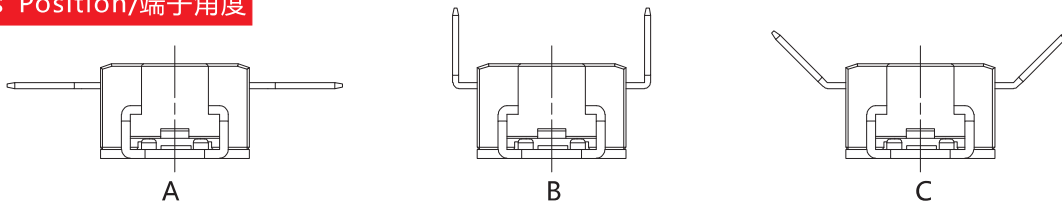
Mounting Option/安装方式图



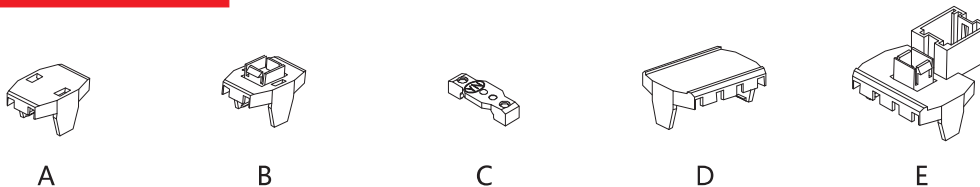
Terminals Connection/端子宽度



Terminals Position/端子角度



Plastic Cover/底盖



突跳式温控器系列【KSD301A2】
Snap-action thermostat【KSD301A2】

请填写以下的选型表,我们将提供最合适您要求的产品
The following information will help us determine the correct thermostat design for your application.you may refer to the charts from page 9 to page 10 for assistance

KSD301A2 SERIES Quote Request
KSD301A2 系列选型表

Thermostat Operation/温控器动作类型

Automatic Reset/自动复位 Manual Reset/ 手动复位 One-Shot/ 一次性

Technical Specification/技术参数

Voltage/电压 _____ V

Current/电流 _____ A

Off Tempetature/断开温度 _____ °C/F

On Temperature/接通温度 _____ °C/F

Open Temp Tolerance/断开温度精度± _____ °C/F

Closed Temp Tolerance/接通温度精度± _____ °C/F

Appearance/外观要求

Mounting Fixation/安装方式 _____ Terminal code/端子代号 _____

Terminals Position/端子角度 _____ Plastic Cover /底盖 _____

Certification/ 认证要求

UL CUL TUV CQC CE ENEC CB

Application/ 应用

Specific requirements/特殊要求

Important Notice

1. Those devices are not environmentally sealed and have exposed electrical components. They are not intended for use in applications where exposure to condensed or dripping liquids, immersion in liquid, or exposure to other environmental contaminants may occur. Excessive mechanical cycling, exposure to liquids or environmental contaminants as noted above may result in insulation breakdown and accompanying localized electrical heating.
2. During mounting, try to avoid disc cup to be deformed and for exposed disc, please don't push the disc with heavy pressure

- 1.温控器应工作于空气相对湿度小于90%、无腐蚀性、可燃性气体和导电尘埃存在的环境内.
- 2.在安装过程中不可把端盖顶部压陷或使其变形,以免影响产品温度及其它性能. 双金属片裸露在外部的产品在安装过程中不可用外力使双金属片变形,以免影响产品温度及其它性能

KSD301B 系列是采用防潮密封设计。快跳式动作安全可靠，多种安装方式和接线端子

应用:冰箱、冷柜、空调、制冷机

产品认证:UL CUL TUV

KSD301B SERIES is 3/4" (19mm) bimetal disc temperature controls in a moisture resistant sealed design.

The sealed design provides moisture resistance for moisture prone environments.

A wide variety of terminal, lead wire and mounting configurations are available to provide maximum design flexibility

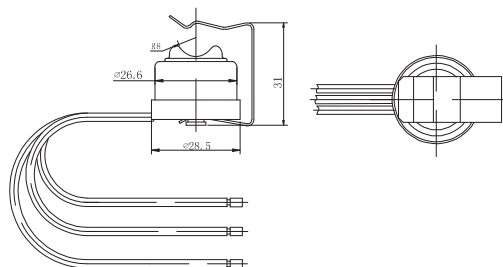
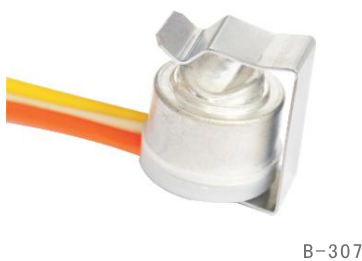
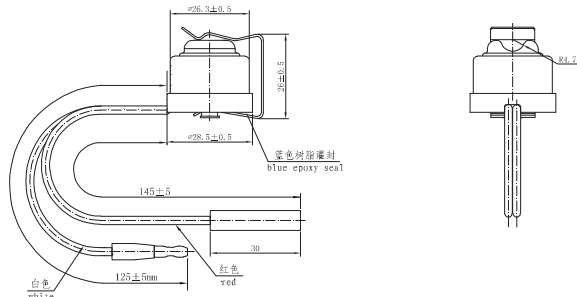
Applications: Refrigerator, Ice maker, Air-conditioning, Freezer

Approval: UL CUL TUV



技术参数(Technical Specification)

Rated voltage	额定电流 Rated current	温度范围 Temperature Range	精度 Tolerance	
	MAX25A	-30°C - 105°C	最小 Min	标准 Standard
			± 3°C	± 5°C

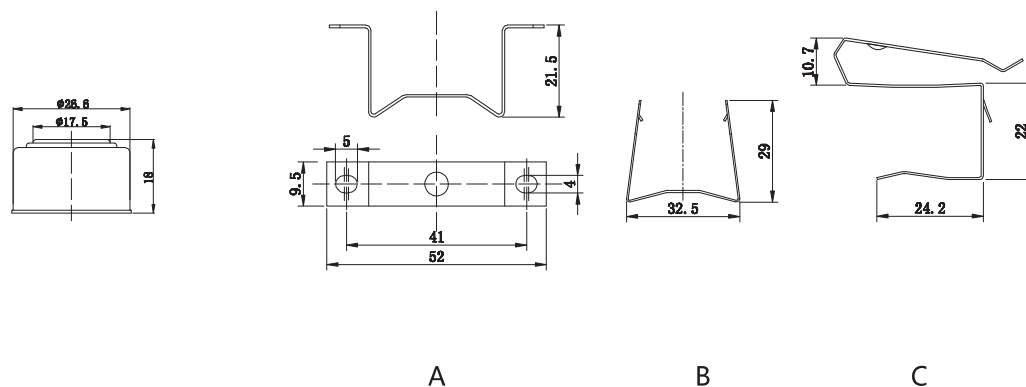


除霜温控器系列【KSD301B】

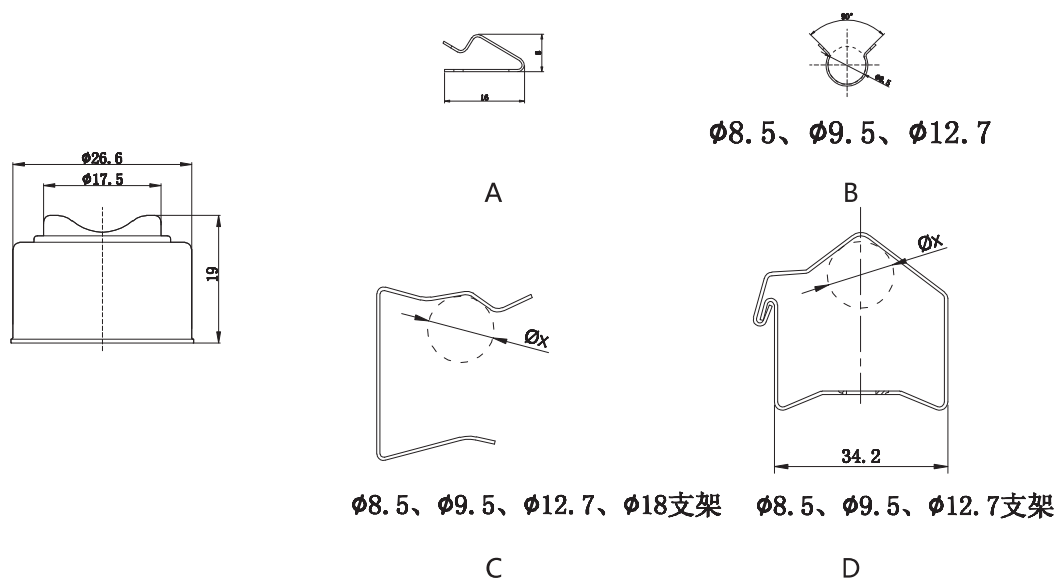
Defrost Thermostat Series【KSD301B】



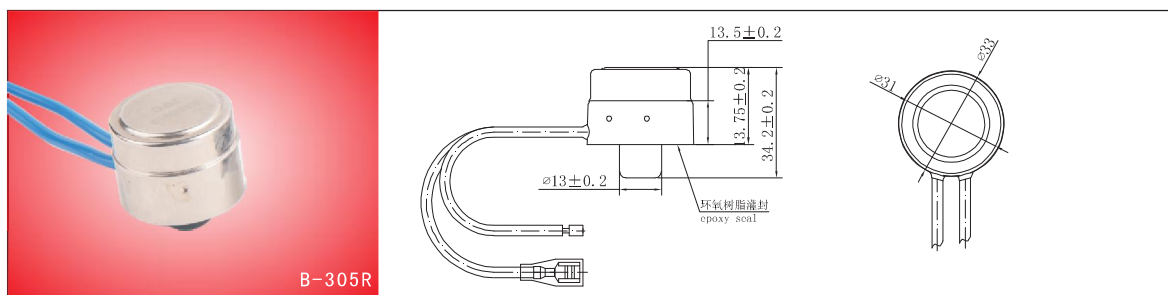
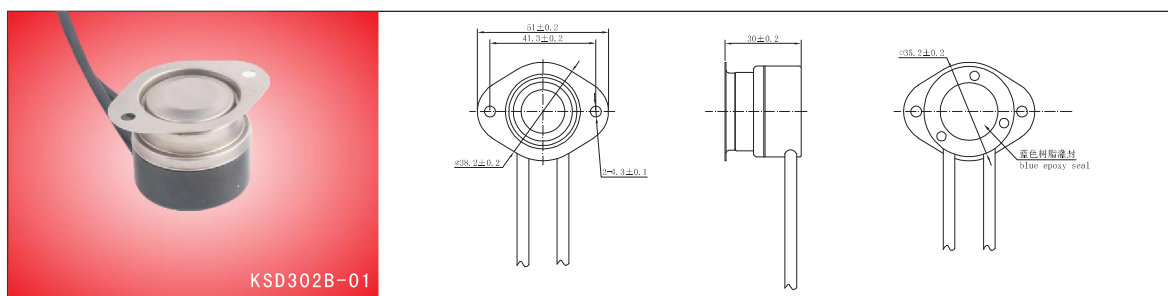
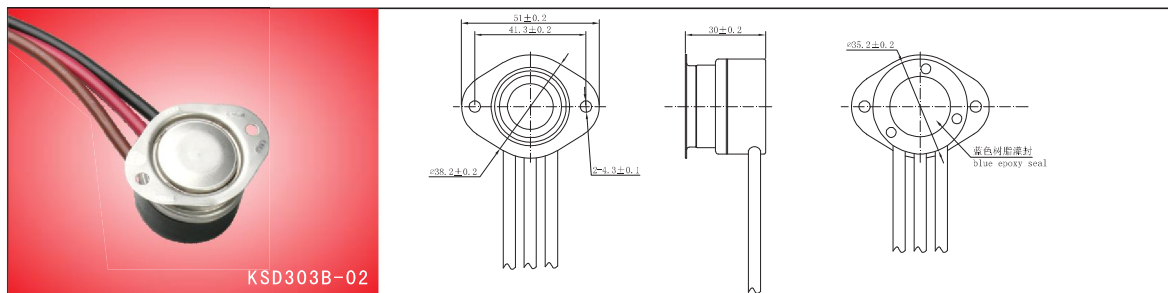
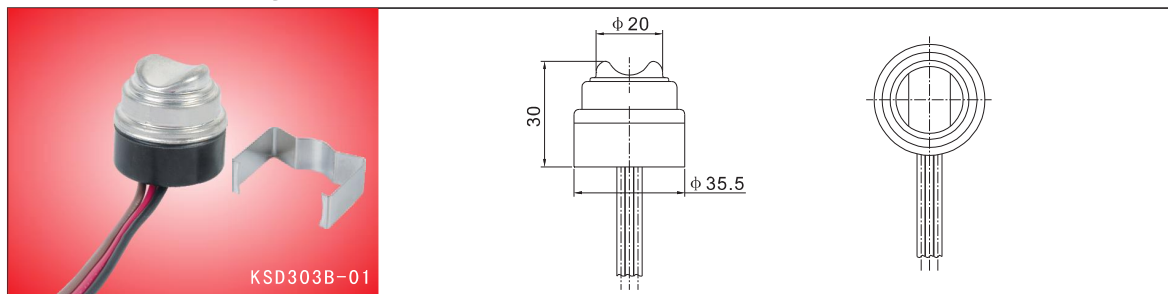
适用于平面安装/Surface mounting



适用于夹管安装/Tube mounting



大电流除霜温控器/High Current Defrost Thermostat



除霜温控器系列【KSD301B】

Defrost Thermostat Series【KSD301B】



请填写以下的选型表,我们将提供最合适您要求的产品
The following information will help us determine the correct thermostat design for your application.you may refer to the charts from page 12 to page 14 for assistance

KSD301B SERIES Quote Request

KSD301B 系列选型表

Switch Type/开关类型

SPST SPDT

Technical Specification/技术参数

Voltage/电压 _____ V Current/电流 _____ A
Off Temperature/断开温度 _____ °C/F On Temperature/接通温度 _____ °C/F
Open Temp Tolerance/断开温度精度± _____ °C/F Closed Temp Tolerance/接通温度精度± _____ °C/F

Appearance/外观要求

Mounting Type/安装方式: Surface mounting Tube mounting Tube Size/夹管直径 _____
Code/代码 _____ Wire Colour/电线颜色 _____ Wire Length/电线长度 _____
Connection/插件要求 _____ Flanges code/ 支架代号 _____
Other models/其它型号 _____

Certification/ 认证要求

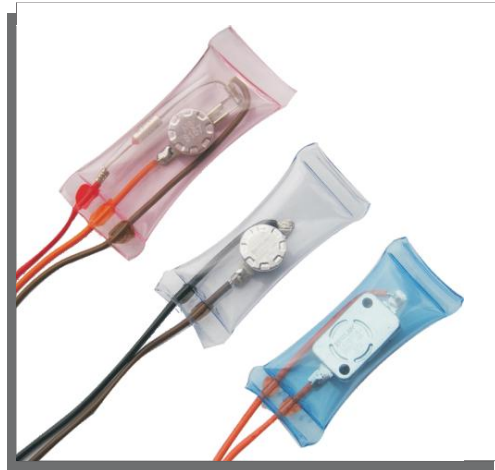
UL CUL TUV

Application/ 应用

Specific requirements/特殊要求

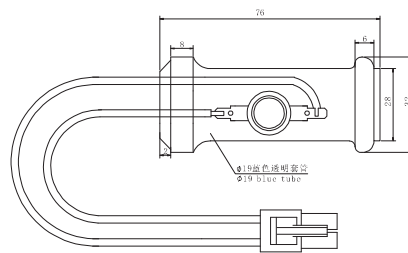
KSD301B2 系列是采用防潮密封设计。快跳式动作安全可靠，多种安装方式和接线端子

KSD301B2 SERIES is sealed construction provides moisture resistance for moisture prone environments.
Applications: Refrigerator, Ice maker, Air-conditioning, Freezer

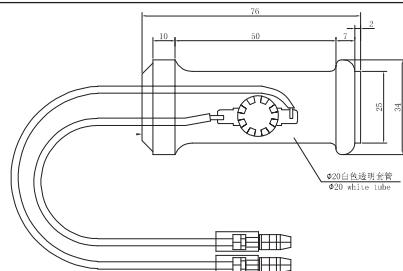


技术参数(Technical Specification)

额定电压 Rated voltage	额定电流 Rated current	温度范围 Temperature Range	精度 Tolerance	
120V/240V 250V/277V	1A-16A	-30°C- 80°C	最小 Min	标准 Standard
			± 3°C	±5°C



OPEN: 8°C
CLOSE: -4°C



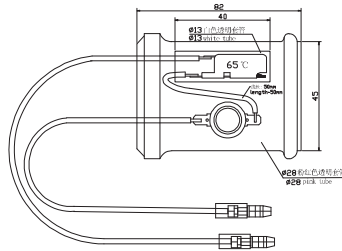
OPEN: 13°C
CLOSE: 4°C

塑封除霜温控器系列【KSD301B2】

Defrost Thermostat with Sealed PVC【KSD301B2】



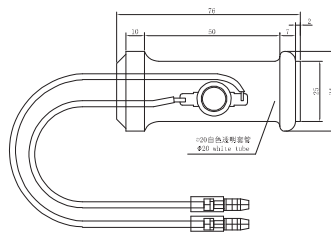
B2-003



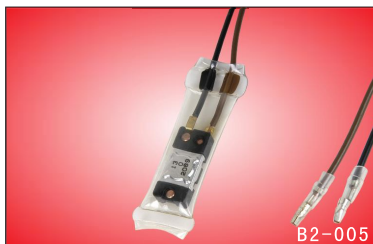
OPEN: 13°C
CLOSE: 0°C



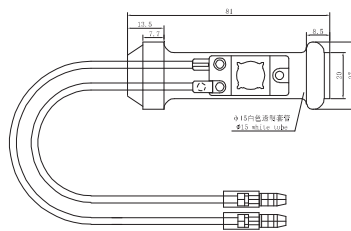
B2-004



OPEN: 8°C
CLOSE: -4°C



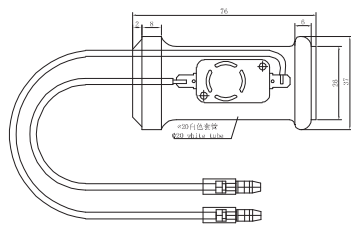
B2-005



OPEN: 13°C
CLOSE: 4°C



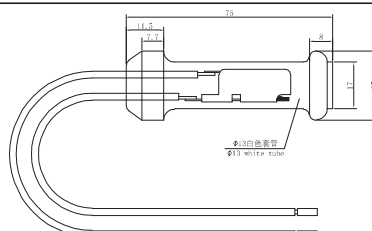
B2-006



OPEN: 13°C
CLOSE: 4°C



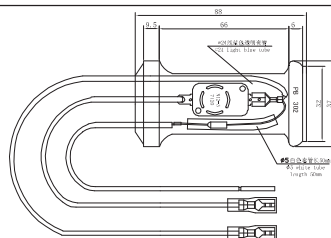
B2-007



OPEN: 65°C



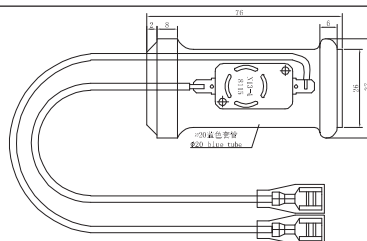
B2-008



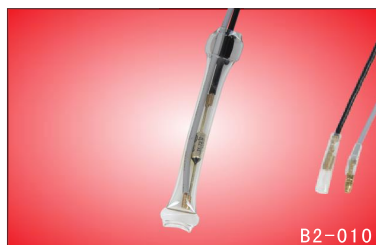
OPEN: 12°C
CLOSE: -5°C
FUSE: 72



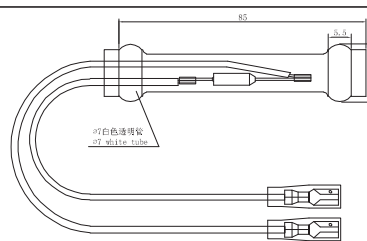
B2-009



OPEN: 15°C
CLOSE: -5°C



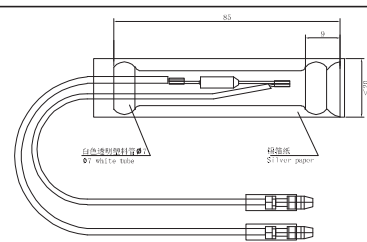
B2-010



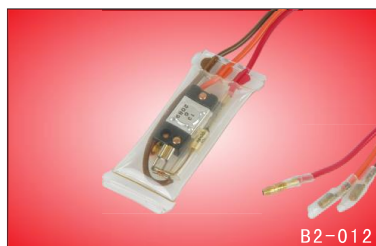
OPEN: 76°C



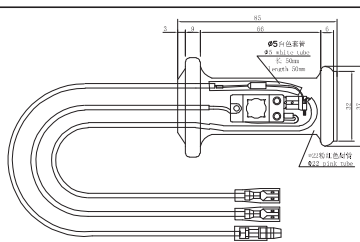
B2-011



OPEN: 76°C



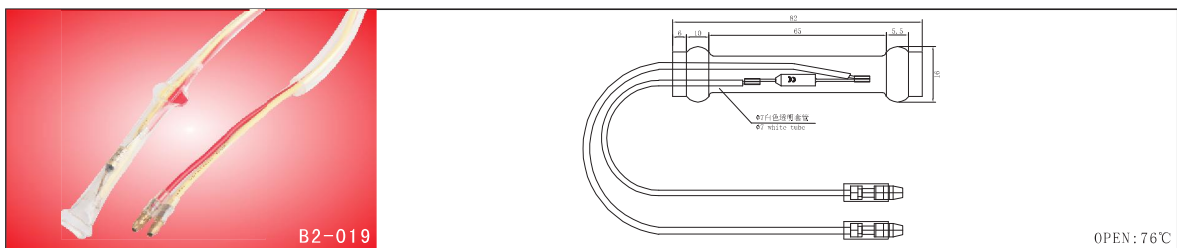
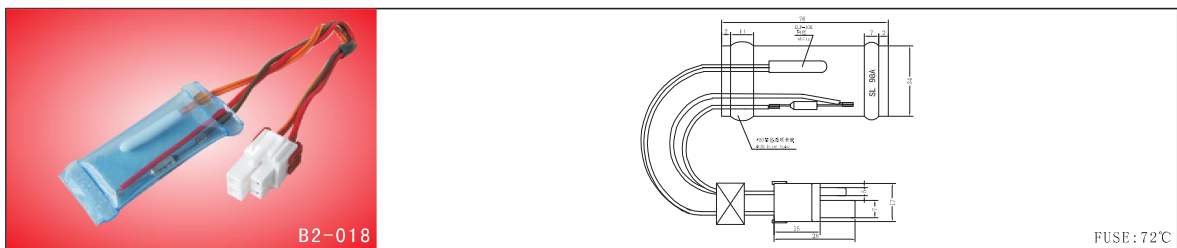
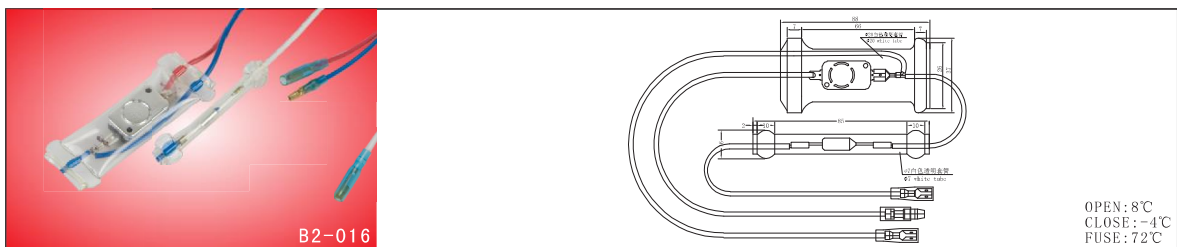
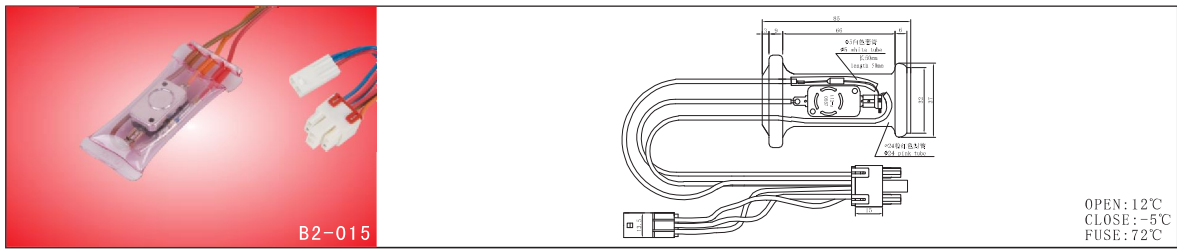
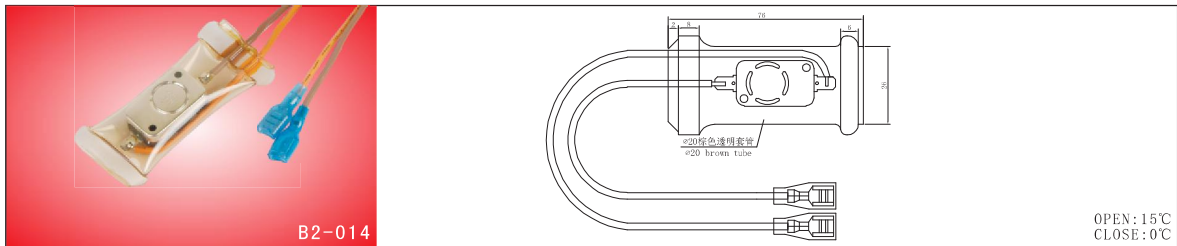
B2-012

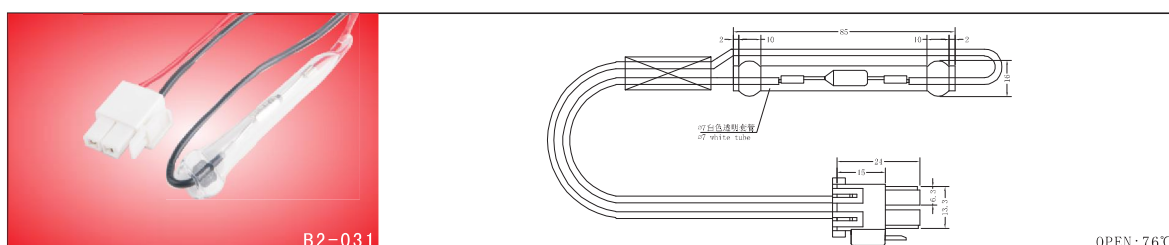
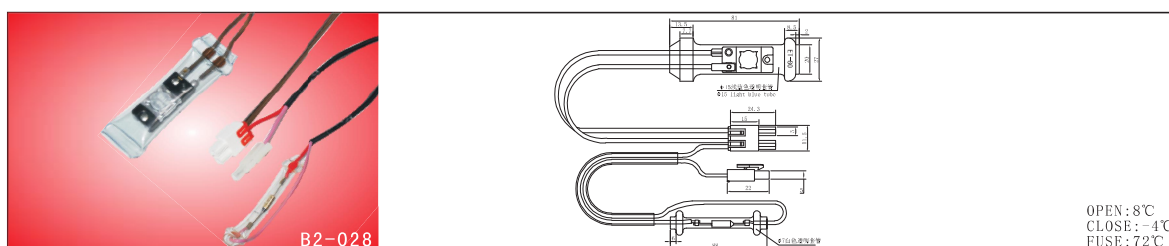
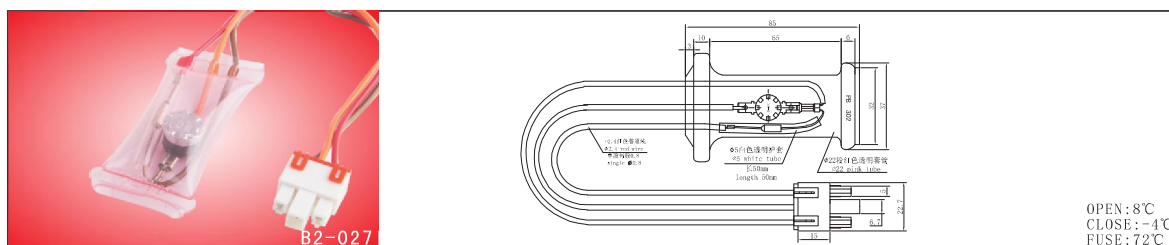
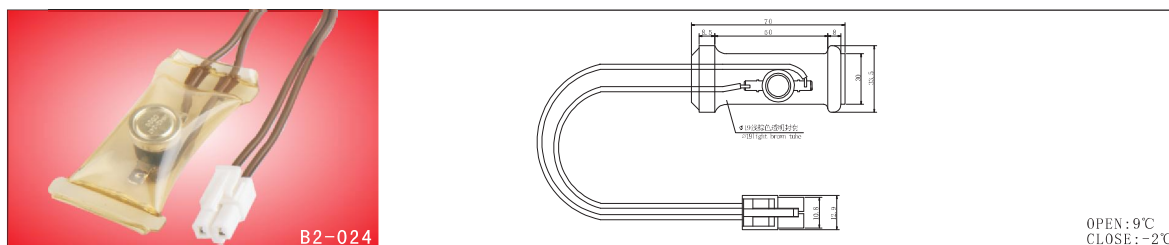
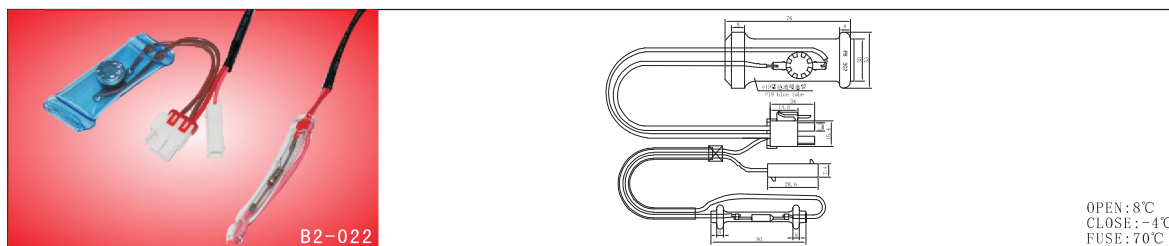


OPEN: 8°C
CLOSE: -4°C
FUSE: 72°C

塑封除霜温控器系列【KSD301B2】

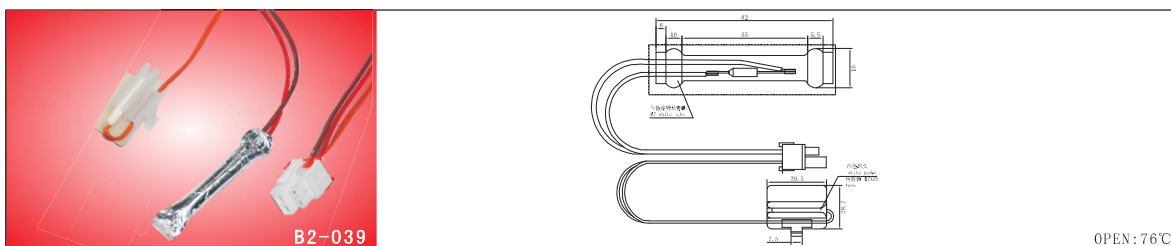
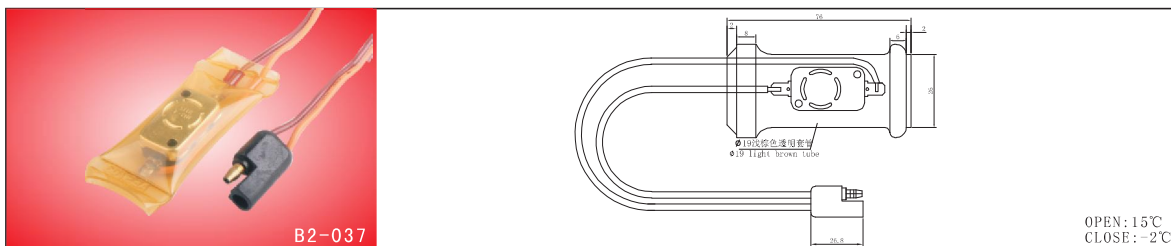
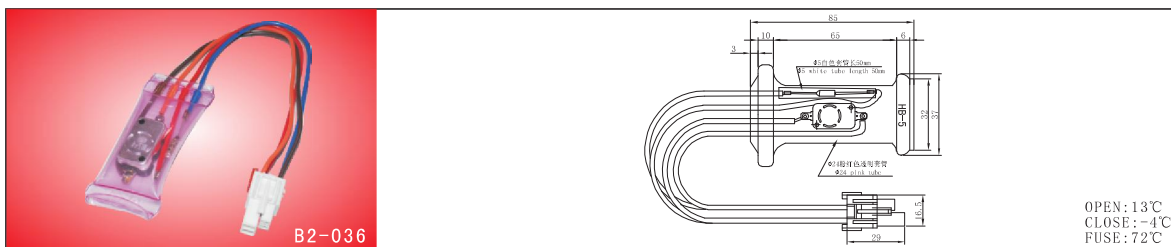
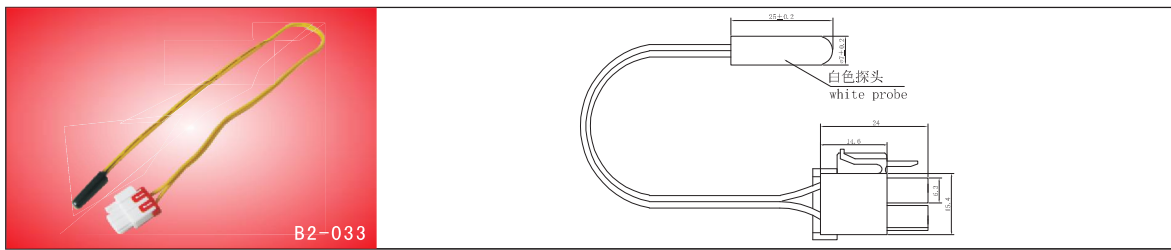
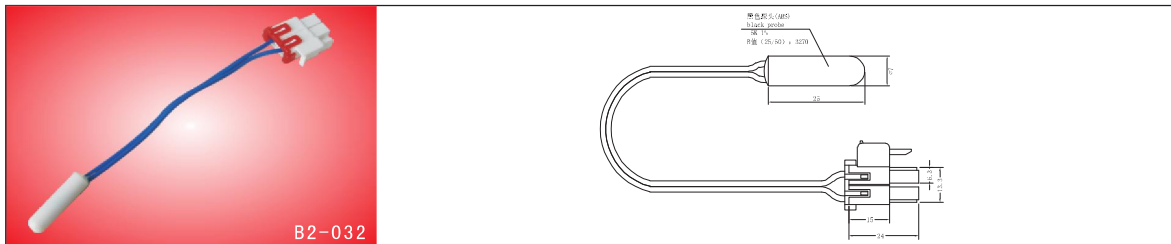
Defrost Thermostat with Sealed PVC【KSD301B2】

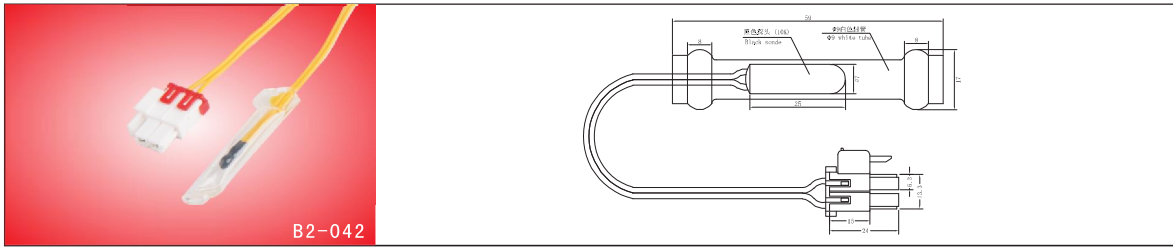
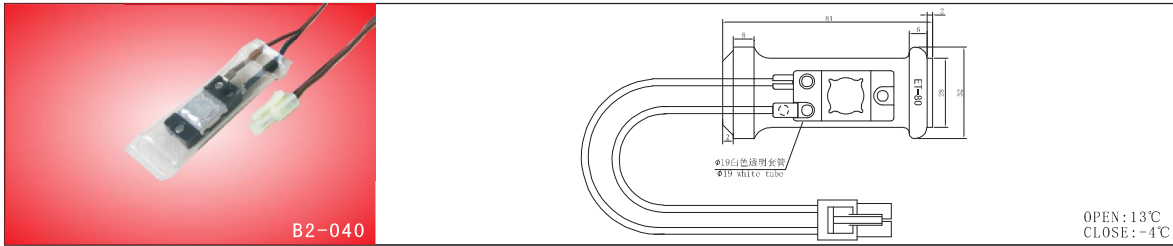




塑封除霜温控器系列【KSD301B2】

Defrost Thermostat with Sealed PVC【KSD301B2】





3/4" 大电流突跳式温控器系列【KSD301C】

3/4" High Current Snap Action Thermostat Series【KSD301C】

KSD301C系列 是3/4" 双金属温控器. 大电流/大功率控制, 使用寿命长, 多电路与多温度档位控制. 最大电流能达到45A,产品有多种安装方式和接线端子。

产品认证: UL CUL TUV VDE CE CQC

应用:加热和通风设备、热水器、贩卖机、空气压缩机、火炉、干衣机

KSD301C SERIES is 3/4" (19mm) bimetal temperature controls. The snap action of the temperature sensing bimetal disc provides high-speed contact separation, resulting in exceptional life characteristics at electrical loads up to 45 amps at 250VAC.

A wide variety of terminal and mounting configurations are available for maximum design flexibility.

Available with an exposed or enclosed bimetal disc for either increased thermal response or protection from airborne contaminants.

Available with automatic and manual reset SPST (Single Pole, Single Throw) or automatic reset SPDT (Single Pole, Double Throw) switch configurations.

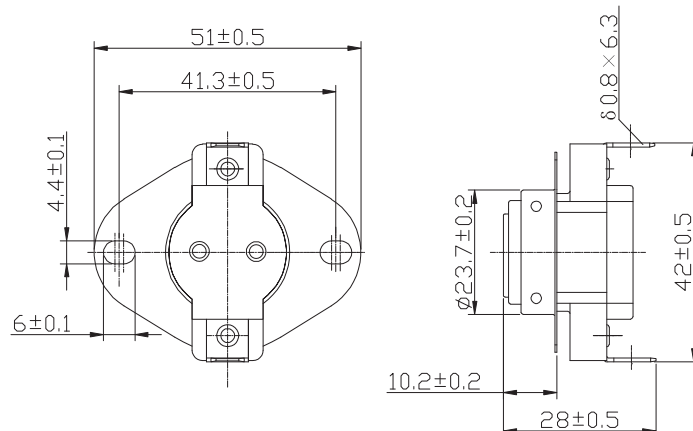
Approval: UL CUL TUV VDE CE CQC

Applications: Heating and ventilating equipment, Water heater, Dryers
Vending machines, Air compressor, Furnaces

技术参数(Technical Specification)

额定电压 Rated voltage	额定电流 Rated current	温度范围 Temperature Range	精度 Tolerance	
110V/240V 250V/277V	25A/30A 40A/45A	-30C-150C	最小 Min	标准 Standard
			± 3°C	±5°C

标准尺寸图/Standard Dimension

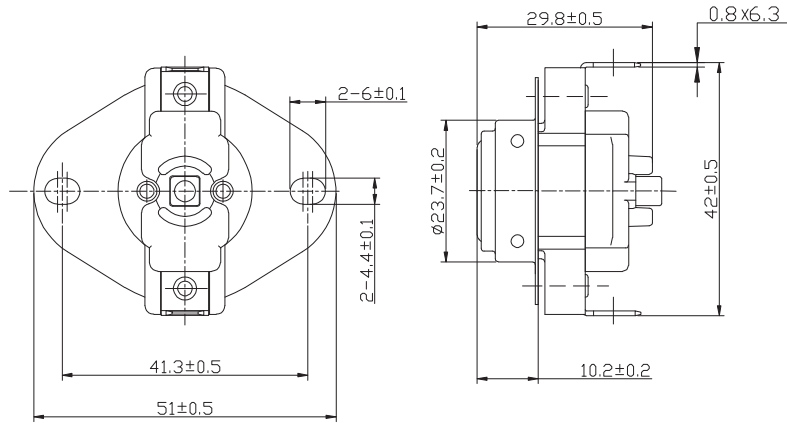


ZETTLER 3/4" 大电流突跳式温控器系列【KSD301C】

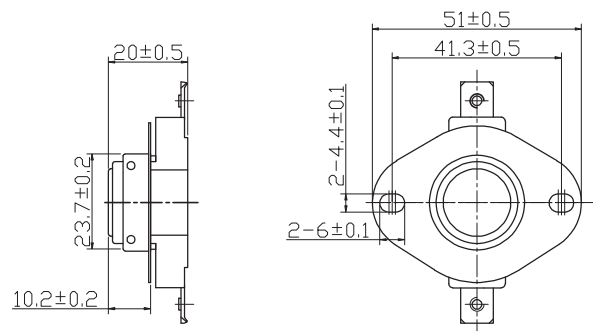
3/4" High Current Snap Action Thermostat Series【KSD301C】



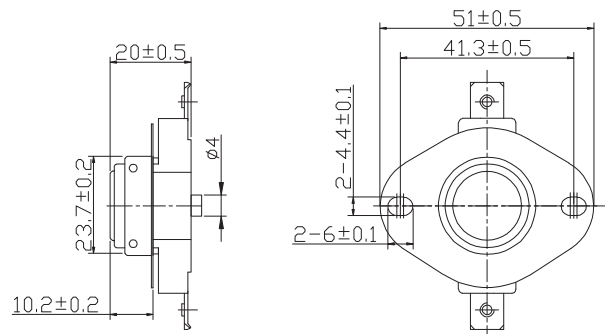
C-001R



C-01B



C-01BR

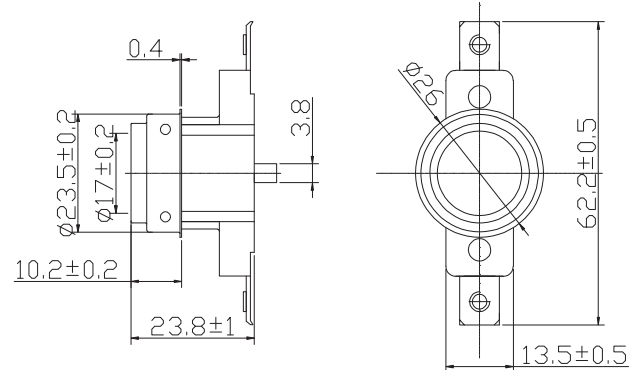


3/4" 大电流突跳式温控器系列【KSD301C】

3/4" High Current Snap Action Thermostat Series【KSD301C】



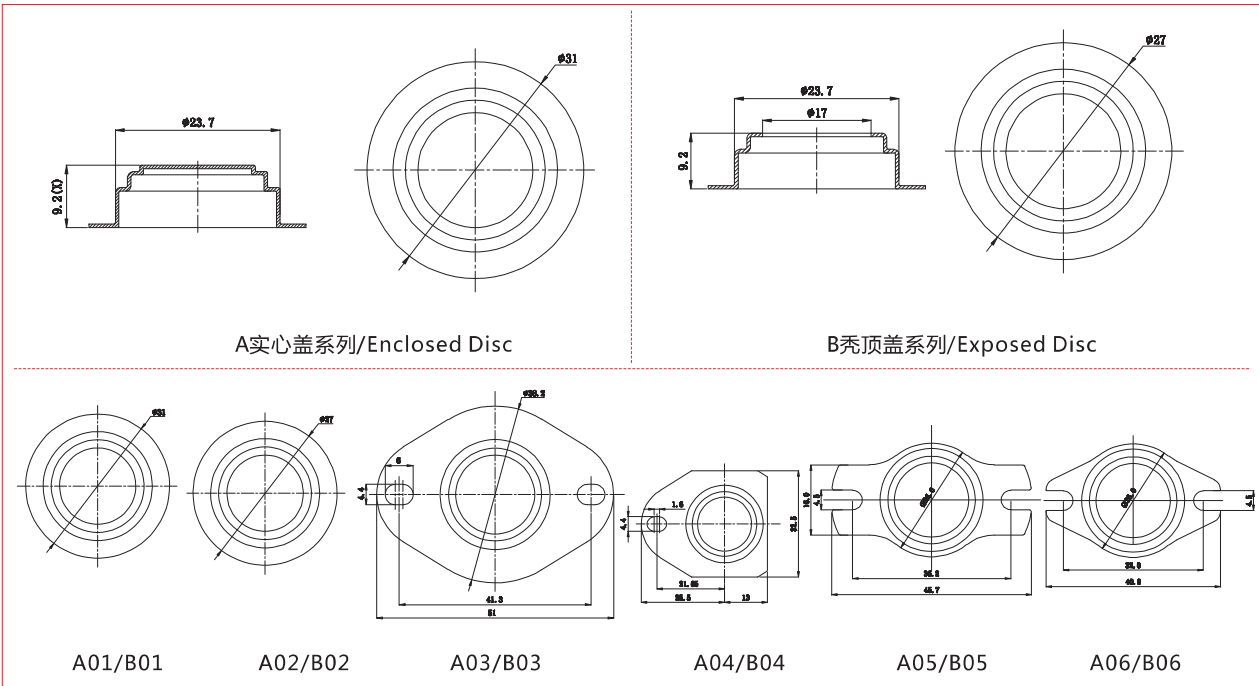
C-01BR-H



为了满足您不同的安装要求，我们提供以下不同类型和尺寸的安装端盖、支架、壳体和端子，请从下面挑选。

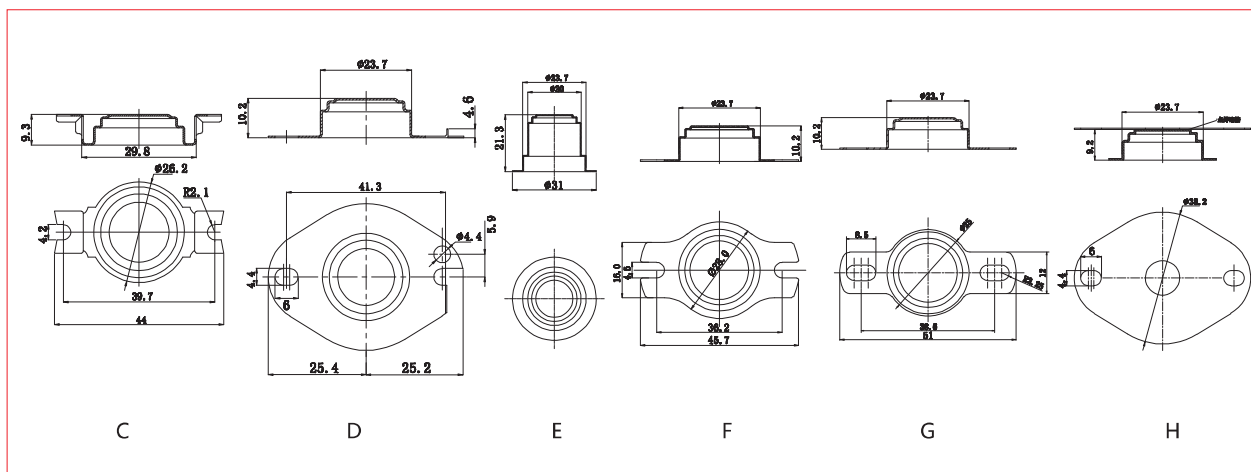
In order to fulfill your installation design, we offer the different type and size of the cup, flange, housing and terminal, please choose from below.

新盖类型/Cup Option

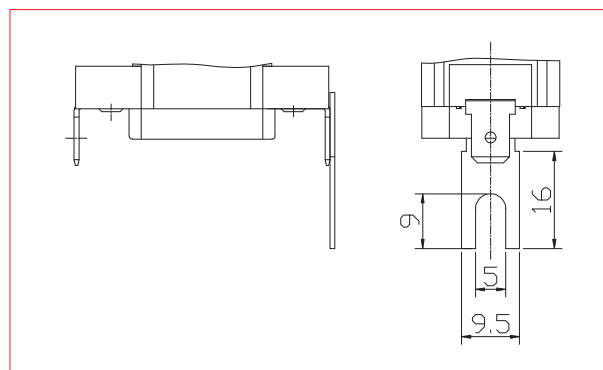
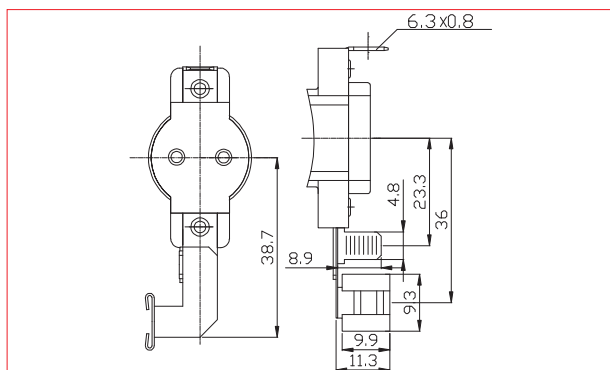
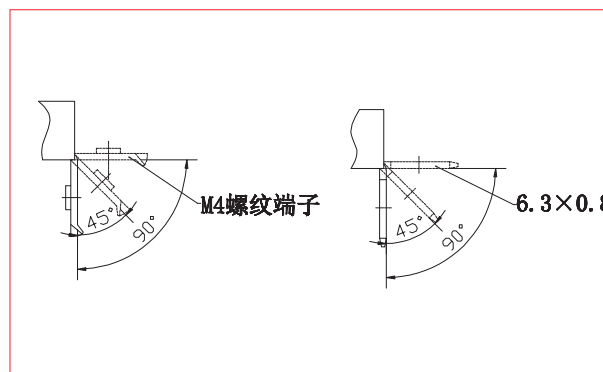
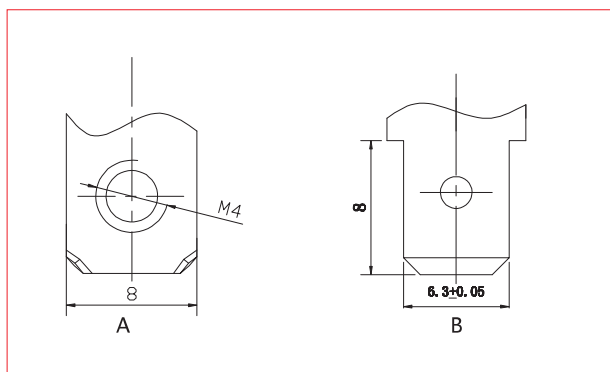


ZETTLER 3/4" 大电流突跳式温控器系列 【KSD301C】

3/4" High Current Snap Action Thermostat Series 【KSD301C】




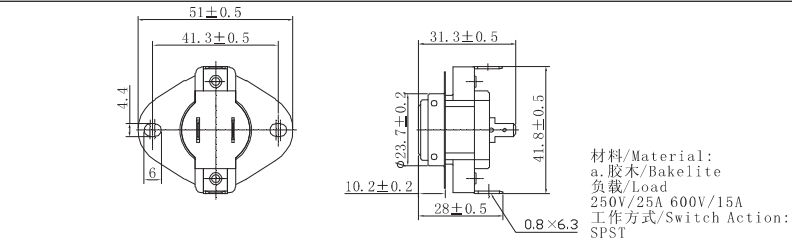
端子类型/Terminal Option




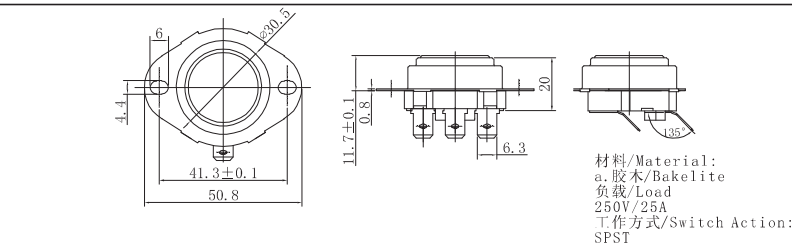
3/4" 大电流突跳式温控器系列【KSD301C】

3/4" High Current Snap Action Thermostat Series【KSD301C】


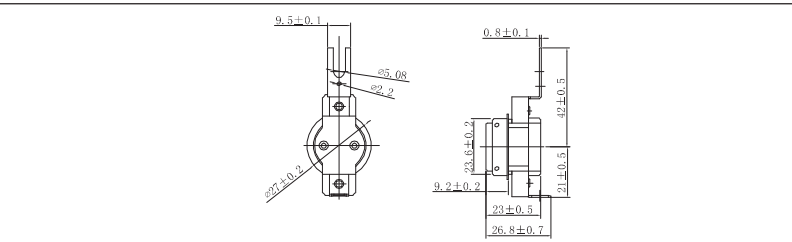
Special Type/其它类型


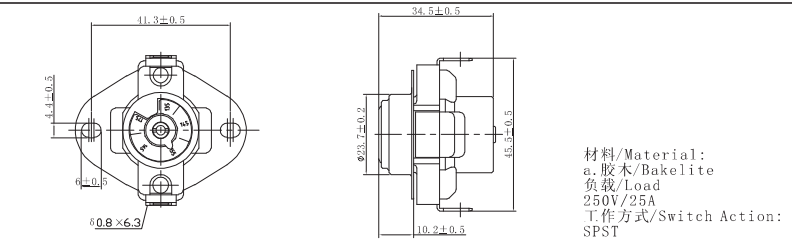
材料/Material:
a. 胶木/Bakelite
负载/Load
250V/25A 600V/15A
工作方式/Switch Action:
SPST

材料/Material:
a. 胶木/Bakelite
负载/Load
250V/25A
工作方式/Switch Action:
SPST

Adjustable Thermostat

材料/Material:
a. 胶木/Bakelite
负载/Load
250V/25A
工作方式/Switch Action:
SPST

KSD301C C-005 is an automatic reset single pole single throw (SPST) switch that can be built to either open or close its electrical contacts on temperature rise . It covers most of heater and dryer applicatons.

Approva : UL CUL

Adjustable Range (°F)	Differential(°F)	switch type
135 to 175	20	open on rise
135 to 175	40	open on rise
210 to 250	40	open on rise
250 to 290	40	open on rise
90 to 130	20	close or rise
140 to 180	20	close or rise

ZETTLER 3/4" 大电流突跳式温控器系列【KSD301C】

3/4" High Current Snap Action Thermostat Series【KSD301C】

请填写以下的选型表,我们将提供最合适您要求的产品

The following information will help us determine the correct thermostat design for your application.you may refer to the charts from page 23 to page 28 for assistance

KSD301C SERIES Quote Request KSD301C 系列选型表

Thermostat Operation/开关类型

SPST SPDT DPST

Thermostat Operation/温控器动作类型

Automatic Reset/自动复位 Manual Reset/ 手动复位

Technical Specification/技术参数

Voltage/电压 _____ V

Current/电流 _____ A

Off Tempetature/断开温度 _____ °C/F

On Temperature/接通温度 _____ °C/F

Open Temp Tolerance/断开温度精度± _____ °C/F

Closed Temp Tolerance/接通温度精度± _____ °C/F

Appearance/外观要求

Cup code/ 端盖代号 _____ Terminal code/端子代号 _____ Terminal Angle 端子角度 _____

Other models/其它型号_____

Certification/ 认证要求

UL CUL TUV

Application/ 应用

Specific requirements/特殊要求

Important Notice


1. Those devices are not environmentally sealed and have exposed electrical components. They are not intended for use in applications where exposure to condensed or dripping liquids, immersion in liquid, or exposure to other environmental contaminants may occur. Excessive mechanical cycling, exposure to liquids or environmental contaminants as noted above may result in insulation breakdown and accompanying localized electrical heating.
2. During mounting, try to avoid disc cup to be deformed and for exposed disc, please don't push the disc with heavy pressure

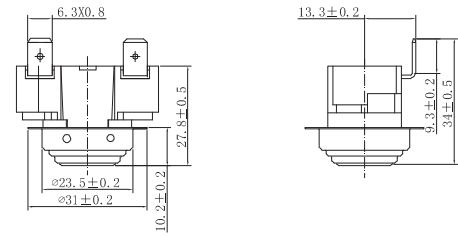
- 1.温控器应工作于空气相对湿度小于90%、无腐蚀性、可燃性气体和导电尘埃存在的环境内。
- 2.在安装过程中不可把端盖顶部压陷或使其变形，以免影响产品温度及其它性能。双金属片裸露在外部的产品在安装过程中不可用外力使双金属片变形，以免影响产品温度及其它性能

3/4" 方形温控器系列【KSD301C】


3/4" High Current Snap Action Thermostat Series【KSD301C】

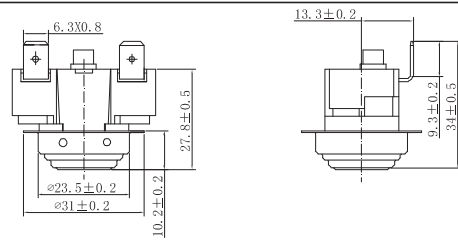
This series combines a double pole single throw (DPST) switch and single pole single throw (SPST) switch . Available in calibrations from 0°C to 140°C (32°F to 284°F) and nominal differentials from 8°C to 50°C (46.4 °F to 122°F) .It provides excellent life characteristics at electrical loads up to 16 amps at 250VAC .A wide variety of terminal and mounting configuration are available for design flexibility.It has TUV CE approval.






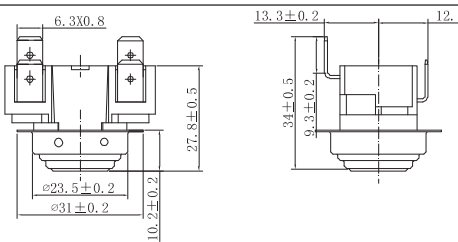
材料/Material:
a. 胶木/Bakelite
负载/Load
250V/25A
工作方式/Switch Action:
SPST






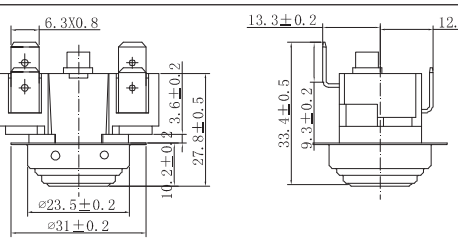
材料/Material:
a. 胶木/Bakelite
负载/Load
250V/25A
工作方式/Switch Action:
SPST






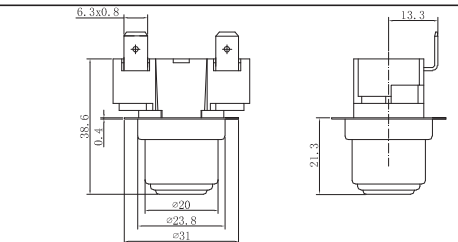
材料/Material:
a. 胶木/Bakelite
负载/Load
250V/16A
工作方式/Switch Action:
SPST或DPST





材料/Material:
a. 胶木/Bakelite
负载/Load
250V/16A
工作方式/Switch Action:
SPST或DPST





材料/Material:
a. 胶木/Bakelite
负载/Load
250V/16A
工作方式/Switch Action:
SPST
端子/Terminal:
镀镍、酸洗/Nickel plated
Brass

KSD301 C-200 SERIES controls are designed to meet the high electrical capacity requirements of electric water heaters. The speed and force of contact separation provides long-dependable control life at high electrical loads.

Approval: UL, CUL, TUV, CQC, CE

Technical Specification

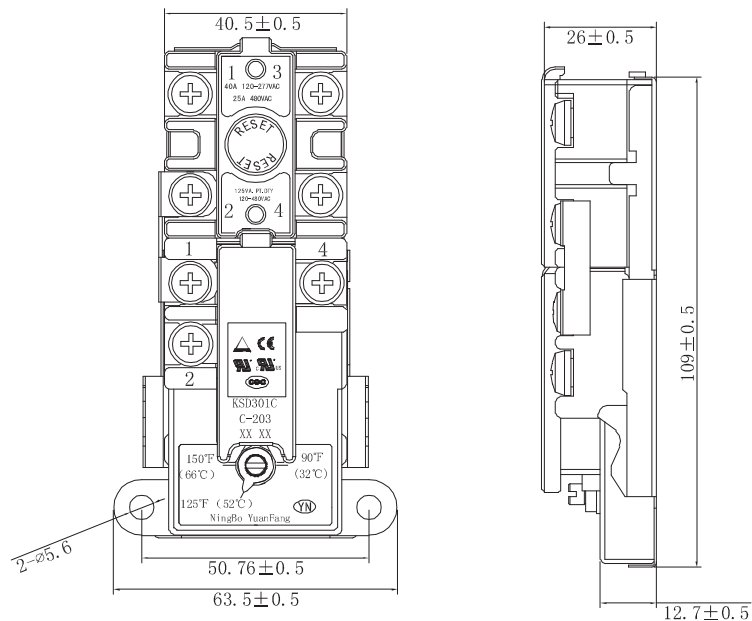
Part'no	Switch Action	Approximate Adjust. Range	Standard Adjustable Temperature Range	Open Temperature	Standard Differential
C-200	SPST	60°F (33°C)	90°-150°F (32°-66°C)	Max 200°F (93°C) Min 90°F (32°C)	3-9
C-201	SPOT	60°F (33°C)	90°-150°F (32°-66°C)	90°-150°F (32°-66°C)	9-14

Part'no	Switch Action	Open Temperature	Tolerance
C-208	DPST Manual Reset	Max 220°F (105°C)	9F

Part'no	Switch Action	Approximate Adjust. Range	Standard Adjustable Temperature Range	Open Temperature	Standard Differential	Manual Reset
C-205	SPST& Manual Reset	60°F (33°C)	90°-150°F (32°-66°C)	90°-150°F (32°-66°C)	3-9	Max 220°F (105°C)
C-206	SPST& Manual Reset	60°F (33°C)	90°-150°F (32°-66°C)	90°-150°F (32°-66°C)	3-9	Max 220°F (106°C)

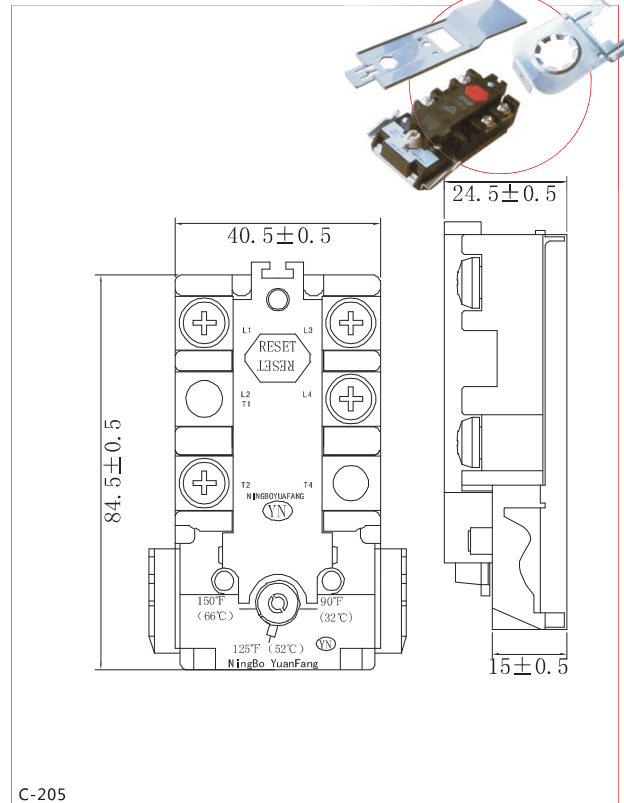
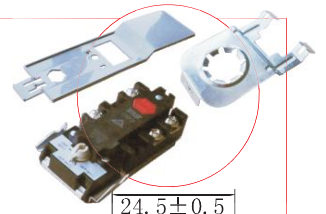
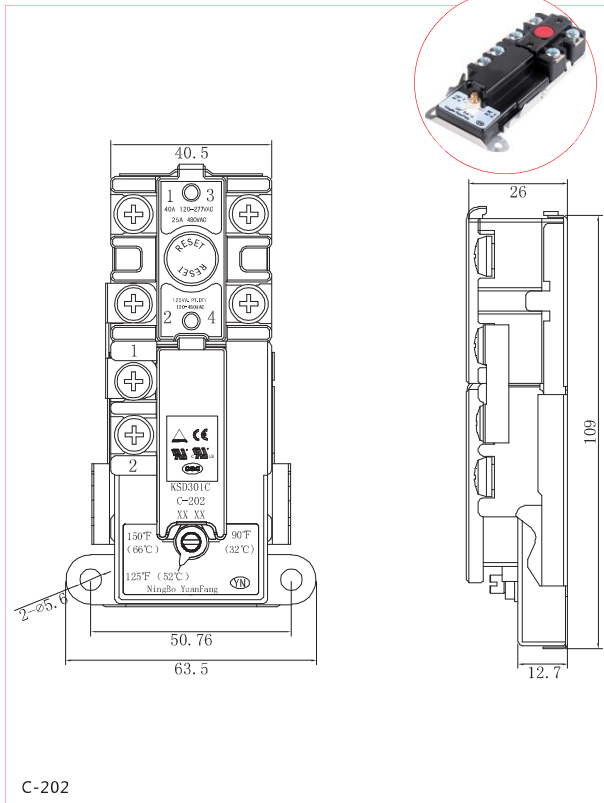
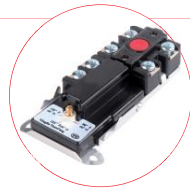
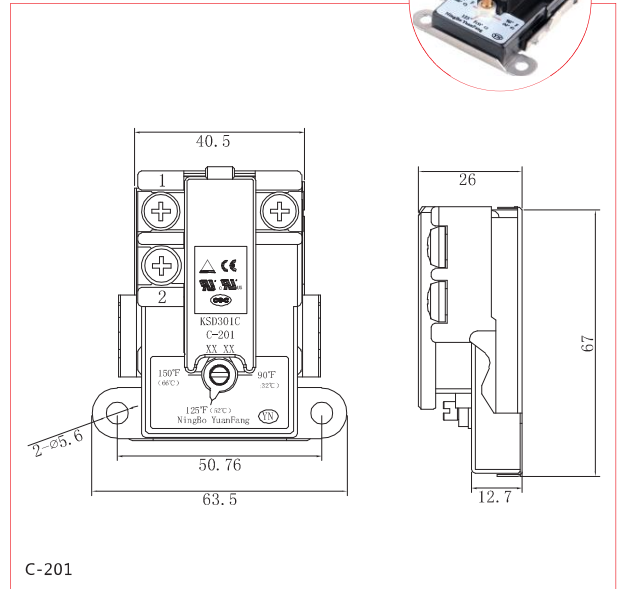
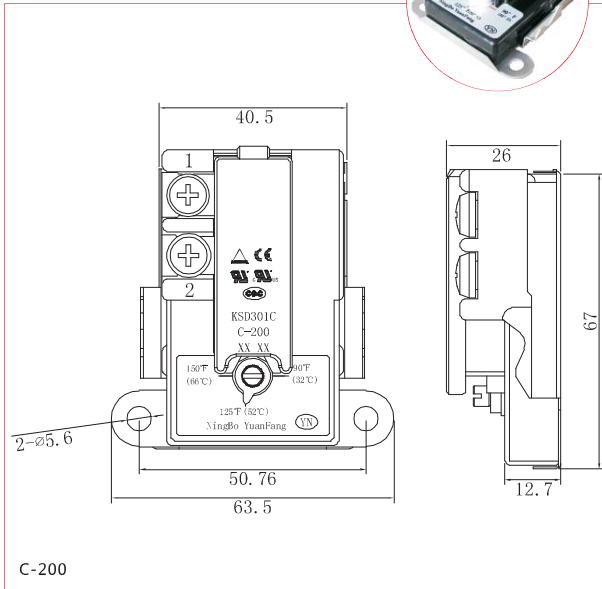


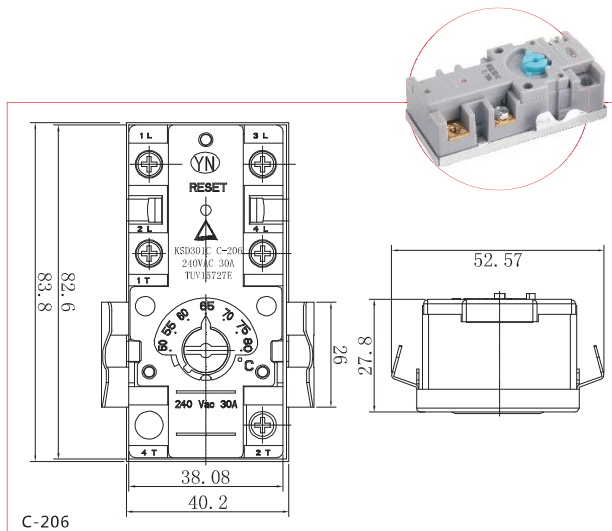
C-203



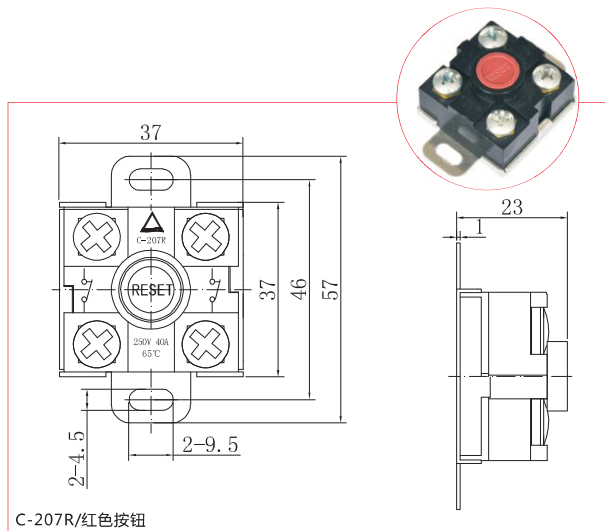
热水器温控器系列【KSD301C】

Water Heater Thermostat Series【KSD301C】

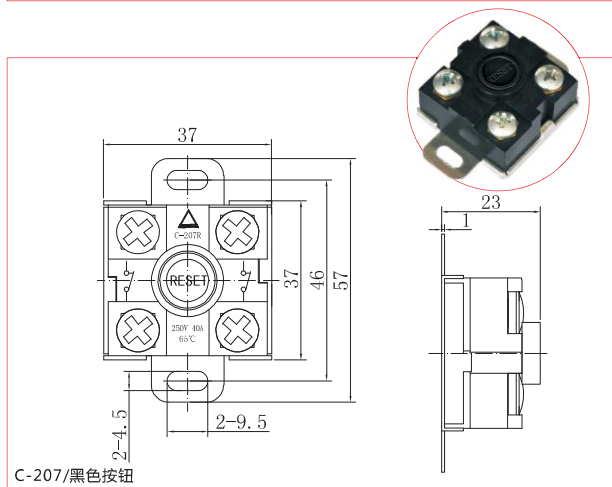




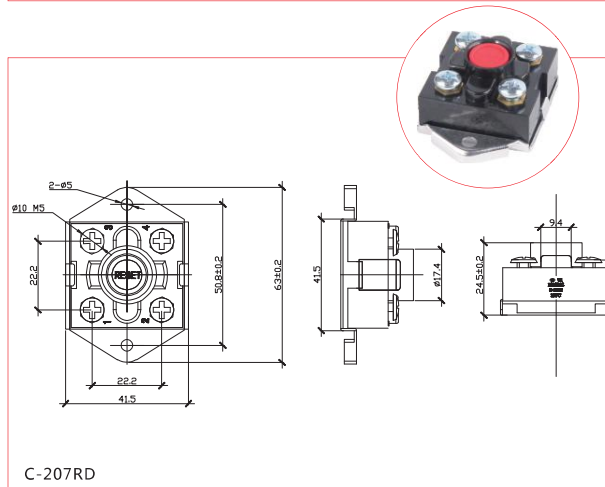
C-206



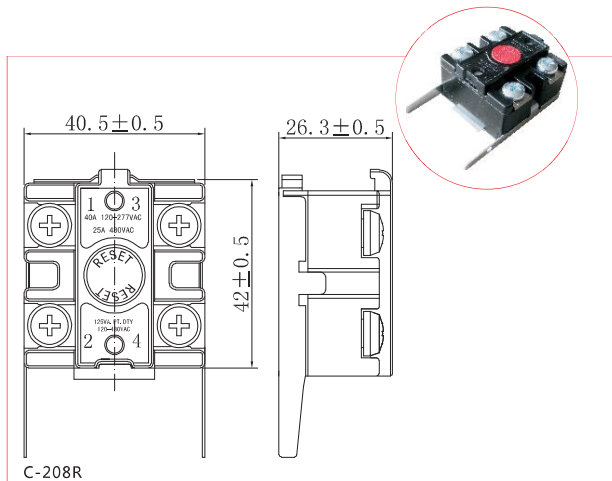
C-207R/红色按钮



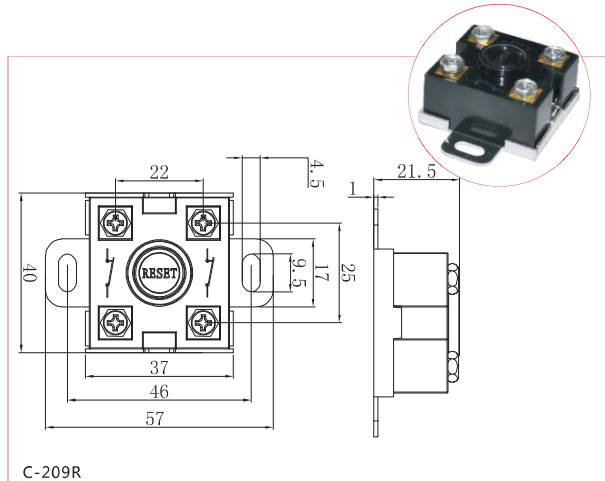
C-207/黑色按钮



C-207RD



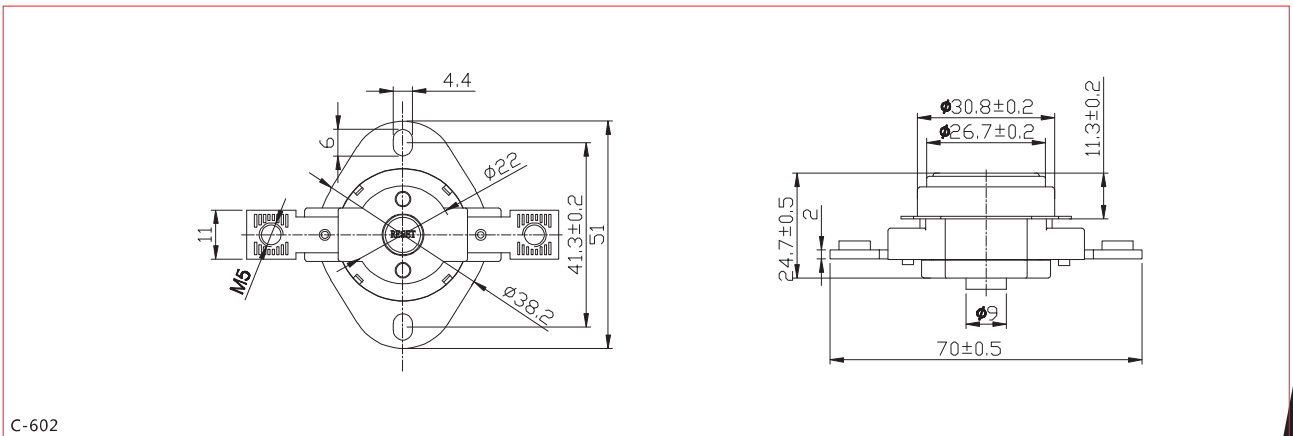
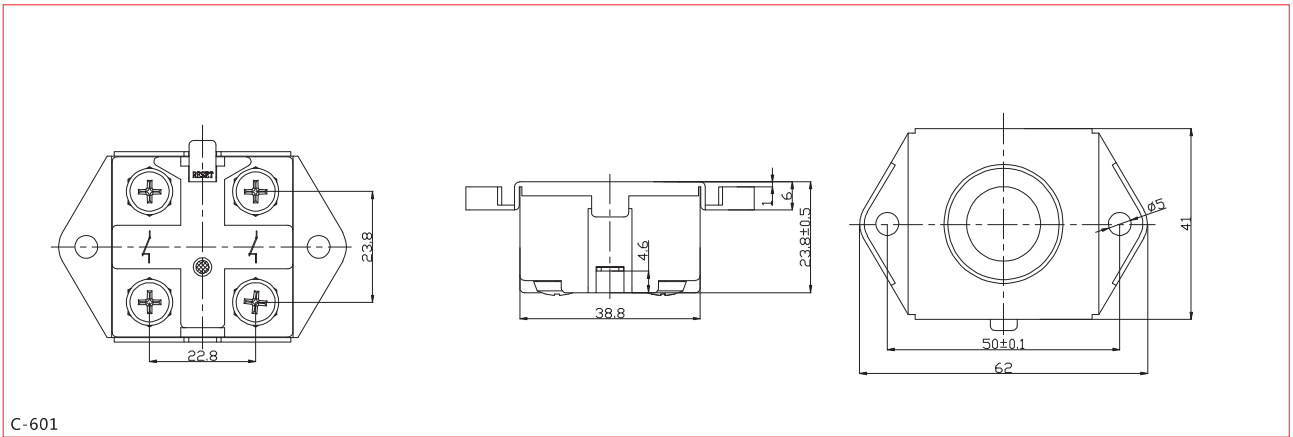
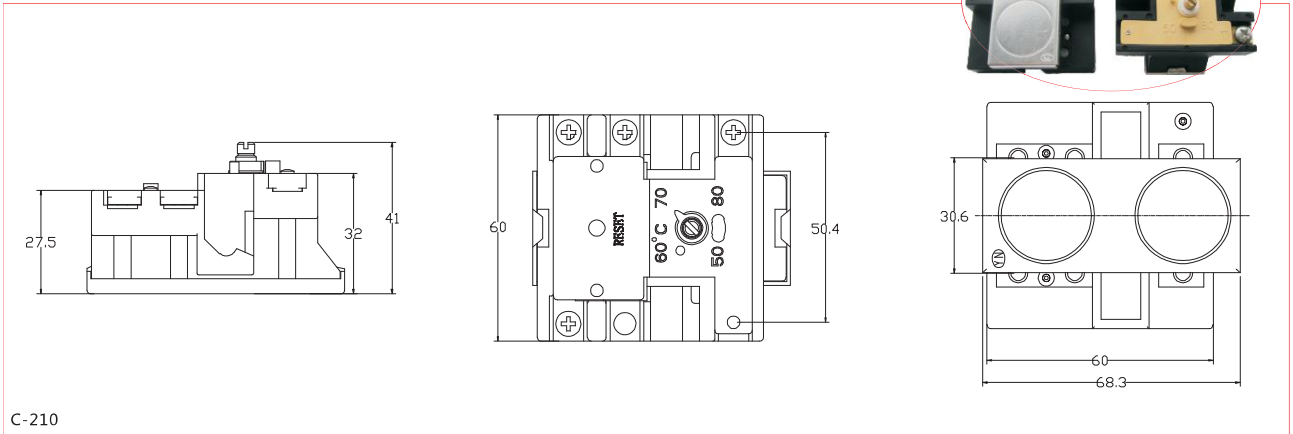
C-208R



C-209R

热水器温控器系列【KSD301C】

Water Heater Thermostat Series【KSD301C】



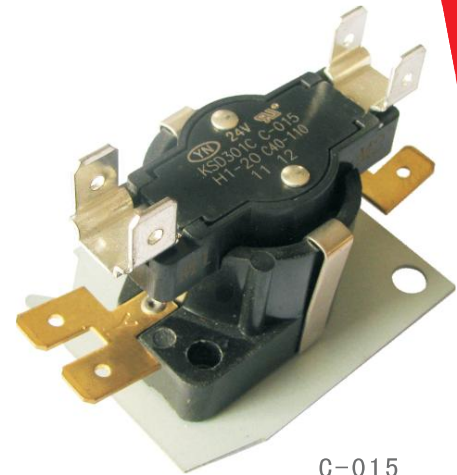
Sequencers are field-proven devices for controlling the operation of heating elements and/or fans in electric furnaces and heat pumps.

These controls combine a solid-state positive temperature coefficient (PTC) heater with bimetal actuated contacts to provide time-delayed electrical switching.

A wide variety of bimetal disc and PTC combinations are available to provide a broad range of timings.

Applications; Electric furnaces, Baseboard heaters, Duct heaters, Suspension heaters, Heat pump blower and heating element control etc

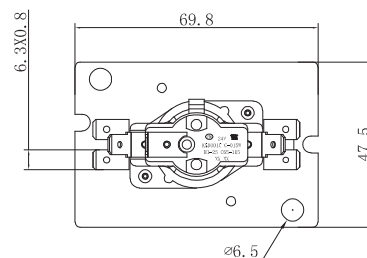
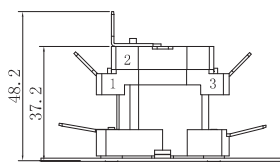
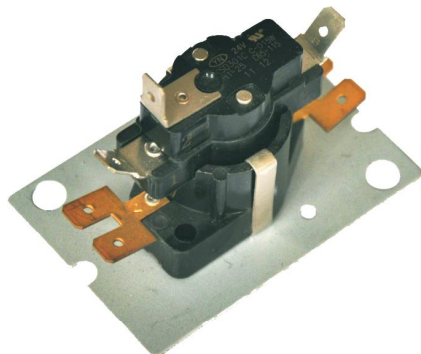
Approval:UL, CUL



C-015

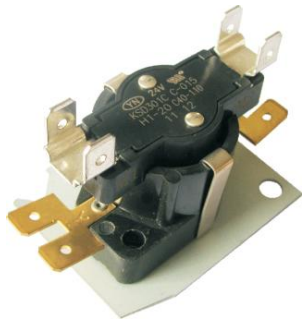
Technical Specification

Part'no	Switch Type	PTC	ON	OFF
C-015	SPST	24/120/240VAC	1-110	1-170
C-015W	SPDT	24/120/240VAC	1-110	1-170
C-016	DPST	24/120/240VAC	1-110	1-170
C-016W	SPST+SPDT	24/120/240VAC	1-110	1-170
C-030	2*SPST	24/120/240VAC	1-110	1-170
C-031	SPST+DPST	24/120/240VAC	1-110	1-170
C-032	2*DPST	24/120/240VAC	1-110	1-170
C-033	SPST+2*DPST	24/120/240VAC	1-110	1-170



延时器系列【Sequencer】

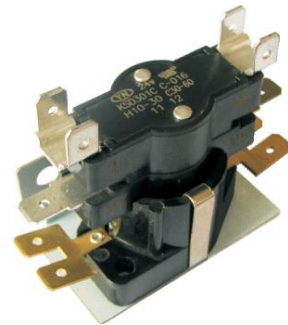
Timer Delay Relay And Sequencer【Sequencer】



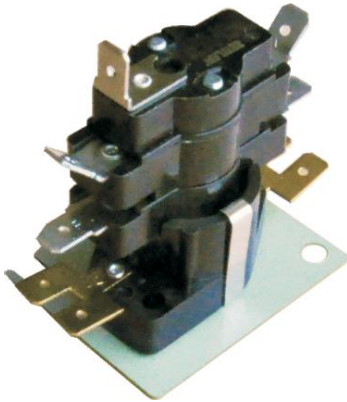
C-015



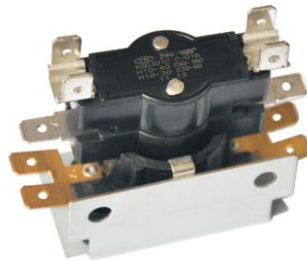
C-015W



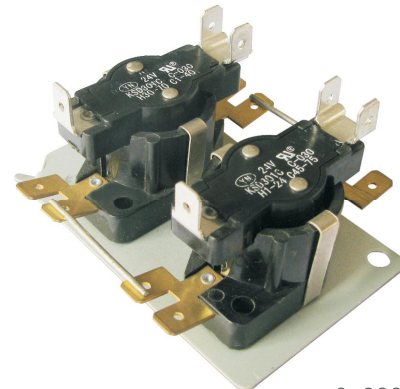
C-016



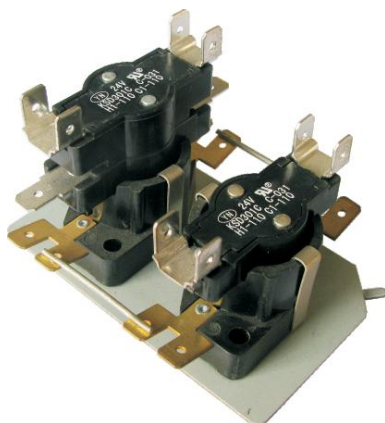
C-016W



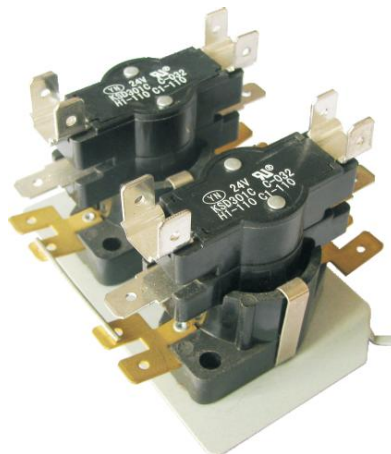
C-016X



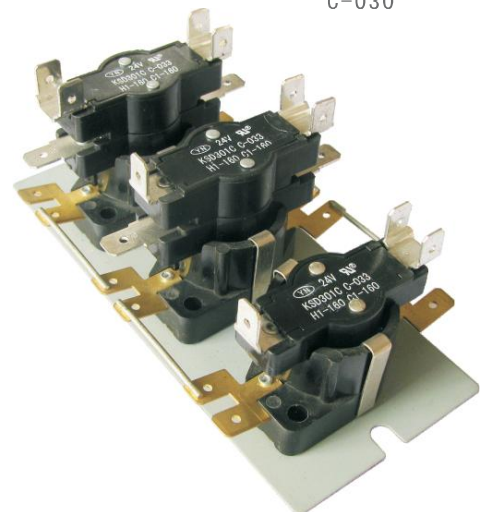
C-030



C-031



C-032



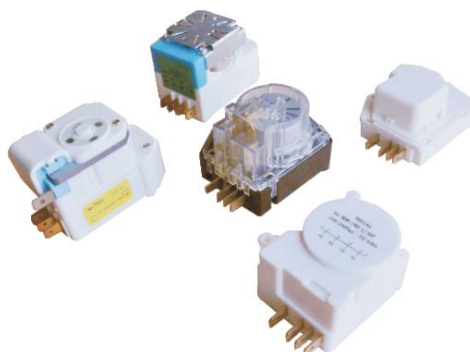
C-033

DS系列是除霜定时器系列。产品噪音低，寿命长，除霜稳定。

应用：冰箱，冷柜

DS SERIES is defrost timers with low noise, high capacity. Long work life. steady performance.

Applications; Refrigerators, freezer, show case etc



技术参数(Technical Specification)

Part'no	Specification			
	204-240V/50HZ		100-120V/60HZ	
	Operating time	Defrost time	Operating time	Defrost time
Ds001	6H,8H,10H,12H	20M-25M	6H,8H,10H,12H	20M-25M
Ds002	6H,8H,10H,12H	20M-25M	6H,8H,10H,12H	20M-25M
Ds003	7H11M,10H26M	25M	6H,8H40M	25M
Ds004	6H,8H,10H,12H	18M-25M	6H,8H,10H,12H	18M-25M
Ds005	6H,8H,10H,12H	6M-25M	6H,8H,10H,12H	6M-25M
Ds006	6H,8H,10H,12H	9M-12M	6H,8H,10H,12H	9M-12M
Ds007	6H,8H,10H,12H	7M	6H,8H,10H,12H	7M
Ds014	6H,8H,10H,12H	21M-29M	6H,8H,10H,12H	21M-29M
Ds011 (Adjustable)	4H,6H,8H,10H,12H	10,15,20,25,30,35M	4H,6H,8H,10H,12H	10,15,20,25,30,35M



Ds-001



Ds-002



Ds-003



Ds-004



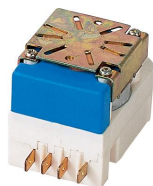
Ds-004B



Ds-004TX



Ds-005



Ds-006



Ds-007



Ds-011



Ds-013



Ds-014

Sensor (NTC)

Part'no	Temperature range	Part'no	Temperature range
S-02	-30°C~105°C	S-04	-30°C~105°C
S-05	-30°C~105°C	S-09	30°C~+200°C



Thermometer

Part'no	Temperature range	Color
Y-01	30~85°C	White
Y-02	30~85°C	White

Rectangle Type



Round Type



Oil Ridator Thermostat

Part'no	Electrical Rating	Temperature range
C-001A	250V/16A	35°C-90°C
C-002A	250V/16A	35°C-90°C
C-003A	250V/16A	35°C-90°C



C-001A



C-002A



C-003A

Motor Protector

Part'no	Electrical Rating	Temperature range
17AM-03	24V/110V/250V, 10A/8A/6A	50°C~180°C
OCP-002	24V/110V/250V, 10A/8A/6A	70°C~150°C
OCP-002P	24V/110V/250V, 10A/8A/6A	70°C~150°C



OCP-001



OCP-001P



OCP-002

触点元件/Electrical Contact



温控器配件/Thermostat accessory



地址: 宁波市集仕港工业开发区集丰路120-126号
电话: +86-574-88036132 88036133 27950901 27950903
传真: +86-574-88036131 88005132
手机: +86-13605887311
邮编: 315171
网址: www.zettlercontrolscn.com
邮箱: zettler@zettlercontrolscn.com

ADD: NO. 120-126 JIFENG ROAD JISHIGANG INDUSTRIAL ZONE,
NINGBO ZHEJIANG PROVINCE, CHINA
Telephone: +86-574-88036132 88036133 27950901 27950903
FAX: +86-574-88036131 88005132
M. T: +86-13605887311
Postcode: 315171
Website: www.zettlercontrolscn.com
E-mail: zettler@zettlercontrolscn.com